

S Coupler

The pulling strength for the plugs and sockets has been improved.

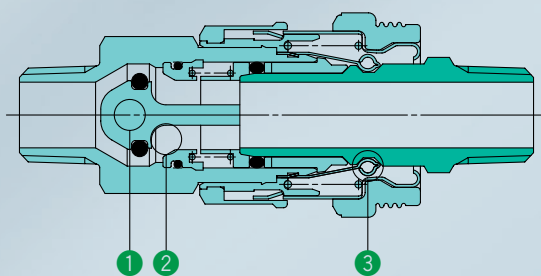
Twice

as strong as the conventional models



Shock absorber cover is provided as a standard.

Lock ring material: Shock resistant PBT





- ① Check valve end configuration facilitates rectifying effect**
 Allows smooth flow of fluids.
- ② No spring located in the flow path**
 Loss of effective area is minimized because there is no valve spring to block the flow path.
- ③ Employs a unique connection method**
 A slim body design and large effective area are achieved with a construction that does not use steel balls and therefore does not restrict the flow path.

Series	Plug No.	Socket No.	Effective area mm ² <small>Note 1)</small>	Weight g <small>Note 2)</small>
Series KK2	KK2P-M5M	KK2S-M5M	3.8	6.1
Series KK3	KK3P-01MS	KK3S-01MS	20	20.1
Series KK4	KK4P-02MS	KK4S-02MS	39	44.1
Series KK6	KK6P-04MS	KK6S-04MS	82	90.1


Note 1) Values when plug and socket are connected.
 Note 2) Values for socket only.

Plug (P)


Male thread type

	Body size	Connection port size	Model
KK2 	M5	M5 x 0.8	KK2P-M5M
		R1/8	-01MS
	1/8	R1/8	KK3P-01MS
		R1/4	-02MS
KK3/4/6 	1/4	R3/8	-03MS
		R1/8	KK4P-01MS
		R1/4	-02MS
	1/2	R3/8	-03MS
		R1/2	-04MS
		R3/8	KK6P-03MS
		R1/2	-04MS
		R3/4	-06MS


Female thread type

	Body size	Connection port size	Model
	M5	M5 x 0.8	KK2P-M5F
	1/8	Rc1/8	KK3P-01F
		Rc1/4	-02F
		Rc3/8	-03F
1/4	Rc1/4	KK4P-02F	
	Rc3/8	-03F	
	Rc3/8	KK6P-03F	
1/2	Rc1/2	-04F	


Nut fitting type (for fiber reinforced urethane hose)

	Body size	Applicable hose I.D./O.D. mm	Model
	1/8	5/8	KK3P-50N
		6/9	-60N
		6.5/10	-65N
1/4	1/4	5/8	KK4P-50N
		6/9	-60N
		6.5/10	-65N
		8/12	-80N
		8.5/12.5	-85N
1/2	1/2	8/12	KK6P-80N
		8.5/12.5	-85N
		11/16	-110N


Straight type with One-touch fitting

	Body size	Applicable tubing O.D. mm	Model	
	M5	3.2	KK2P-23H	
		4	-04H	
		6	-06H	
	1/8	1/8	4	KK3P-04H
			6	-06H
			8	-08H
1/4	1/4	10	-10H	
		6	KK4P-06H	
		8	-08H	
		10	-10H	
1/2	1/2	12	-12H	
		12	KK6P-12H	
		12	-12H	
		16	-16H	

Elbow type with One-touch fitting



	Body size	Applicable tubing O.D. mm	Model	
	M5	3.2	KK2P-23L	
		4	-04L	
		6	-06L	
	1/8	1/8	4	KK3P-04L
			6	-06L
			8	-08L
1/4	1/4	10	-10L	
		6	KK4P-06L	
		8	-08L	
		10	-10L	
1/2	1/2	12	-12L	
		12	KK6P-12L	
		16	-16L	

Bulkhead type with One-touch fitting


	Body size	Applicable tubing O.D. mm	Model	
	M5	3.2	KK2P-23E	
		4	-04E	
		6	-06E	
	1/8	1/8	4	KK3P-04E
			6	-06E
			8	-08E
1/4	1/4	10	-10E	
		6	KK4P-06E	
		8	-08E	
		10	-10E	
1/2	1/2	12	-12E	
		12	KK6P-12E	
		16	-16E	

Socket (S)


Male thread type

	Body size	Connection port size	Model
KK2 	M5	M5 x 0.8	KK2S-M5M
		R1/8	-01MS
	1/8	R1/8	KK3S-01MS
		R1/4	-02MS
KK3/4/6 	1/4	R3/8	-03MS
		R1/8	KK4S-01MS
		R1/4	-02MS
	1/2	R3/8	-03MS
		R1/2	-04MS
		R3/8	KK6S-03MS
		R1/2	-04MS
		R3/4	-06MS


Female thread type

	Body size	Connection port size	Model
KK2 	M5	M5 x 0.8	KK2S-M5F
	1/8	Rc1/8	KK3S-01F
		Rc1/4	-02F
		Rc3/8	-03F
1/4	1/4	Rc1/4	KK4S-02F
		Rc3/8	-03F
		Rc3/8	KK6S-03F
1/2	Rc1/2	-04F	


Nut fitting type (for fiber reinforced urethane hose)

	Body size	Applicable hose I.D./O.D. mm	Model
	1/8	5/8	KK3S-50N
		6/9	-60N
		6.5/10	-65N
1/4	1/4	5/8	KK4S-50N
		6/9	-60N
		6.5/10	-65N
		8/12	-80N
		8.5/12.5	-85N
1/2	1/2	8/12	KK6S-80N
		8.5/12.5	-85N
		11/16	-110N


Straight type with One-touch fitting

	Body size	Applicable tubing O.D. mm	Model	
KK2 	M5	3.2	KK2S-23H	
		4	-04H	
		6	-06H	
	1/8	1/8	4	KK3S-04H
			6	-06H
			8	-08H
1/4	1/4	10	-10H	
		6	KK4S-06H	
		8	-08H	
		10	-10H	
1/2	1/2	12	-12H	
		12	KK6S-12H	
		12	-12H	
		16	-16H	

Elbow type with One-touch fitting

	Body size	Applicable tubing O.D. mm	Model	
KK2 	M5	3.2	KK2S-23L	
		4	-04L	
		6	-06L	
	1/8	1/8	4	KK3S-04L
			6	-06L
			8	-08L
1/4	1/4	10	-10L	
		6	KK4S-06L	
		8	-08L	
		10	-10L	
1/2	1/2	12	-12L	
		12	KK6S-12L	
		16	-16L	

Bulkhead type with One-touch fitting

	Body size	Applicable tubing O.D. mm	Model	
KK2 	M5	3.2	KK2S-23E	
		4	-04E	
		6	-06E	
	1/8	1/8	4	KK3S-04E
			6	-06E
			8	-08E
1/4	1/4	10	-10E	
		6	KK4S-06E	
		8	-08E	
		10	-10E	
1/2	1/2	12	-12E	
		12	KK6S-12E	
		16	-16E	

SMC Corporation

1-16-4 Shimbashi, Minato-ku, Tokyo 105-8659 JAPAN
 Tel: 03-3502-2740 Fax: 03-3508-2480
 URL <http://www.smcworld.com>
 © 2004 SMC Corporation All Rights Reserved

Specifications are subject to change without prior notice and any obligation on the part of the manufacturer.

D-KS

1st printing IX printing IX 130KS Printed in Japan.

This leaflet is printed on recycled paper with concern for the global environment.