



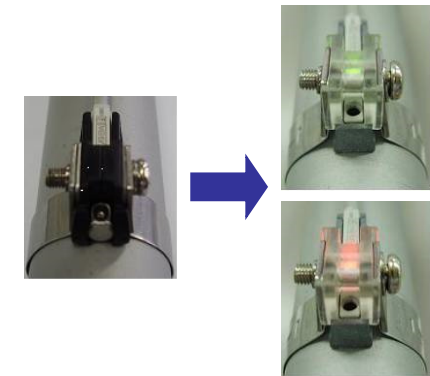
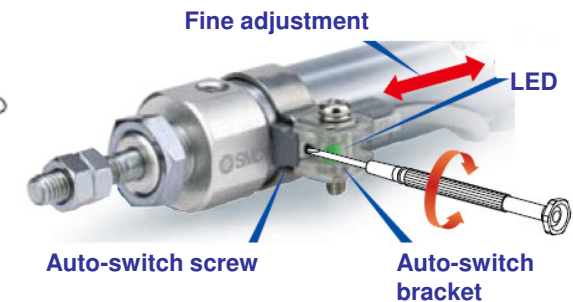
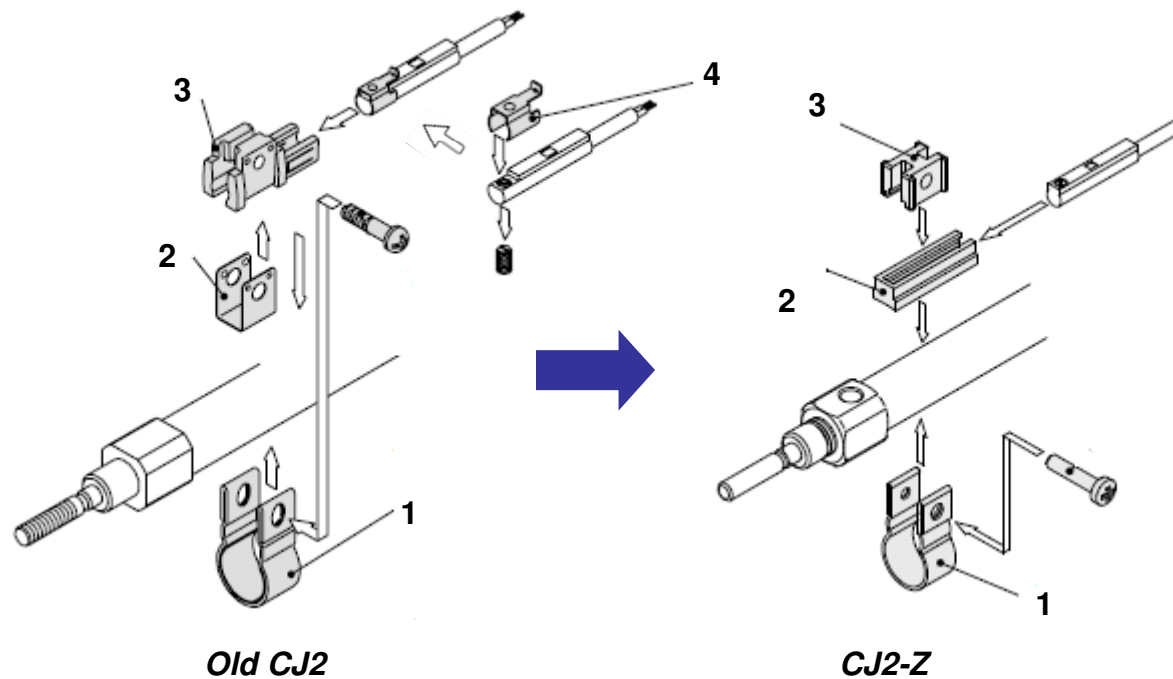
CJ2-Z series Air cylinder

Improved features and related benefits

FEATURE: Improved auto-switch mounting:

- Number of required elements reduced from four to three elements.
- Fine adjustment of the auto-switch position can be done by just loosening one screw.
- Transparent bracket improves visibility of the auto-switch status.

CUSTOMER BENEFIT: Reduced assembly and maintenance costs.



Improved features and related benefits

FEATURE: Three new mounting types are added: double foot, head flange and double-side bossed.

CUSTOMER BENEFIT: More flexibility for design.



Foot



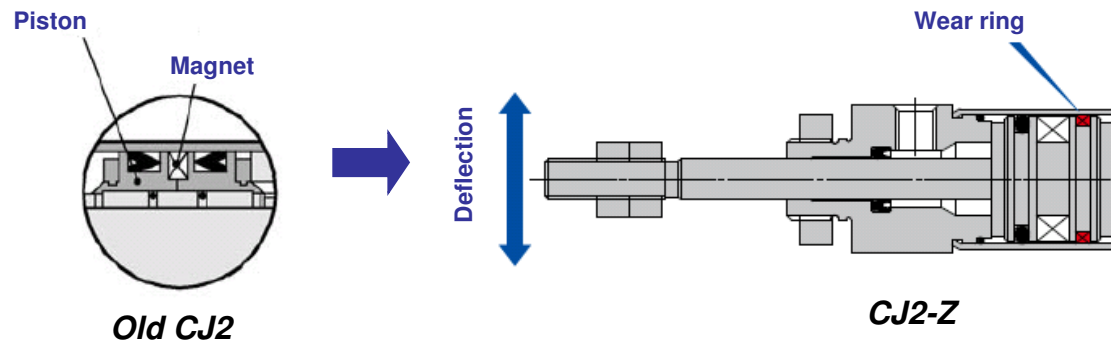
Flange



Boss

FEATURE: Wear ring is added to the piston to reduce the rod end deflection.

CUSTOMER BENEFIT: Contribution to an improved precision.



Technical details

▪ Standard and made-to-order options

CJ2-Z Option	∅ 6 (Rubber bumper)	∅ 10, 16	
		Rubber bumper	Air cushion
Standard	x	●	○
Non-rotating rod		○	
Double rod	x	○	○
Single acting	x	○	
Direct mount		○	
Clean series		○	
Copper-free		●	
Smooth type		○	
Low speed		○	
Built-in speed controller		○	

- Released in June'12
- Released in April'13
- x Released in October '16

CJ2-Z Option	∅ 6 (Rubber bumper)	∅ 10, 16	
		Rubber bumper	Air cushion
XA	x	○	
XB6	x	○	
XB7	x	○	
XB9	x	○	
XB13	x		
XC3	x	○	
XC8		○	
XC9		○	
XC10		○	
XC11		○	
XC22	x	○	
XC51	x	○	
XC85		○	
X446		○	
X773	x		

▪ External appearance



Technical details

■ Mounting brackets and options

Option	Name	Old CJ2	CJ2-Z	Included mounting brackets part. no.					
				Old CJ2			CJ2-Z		
				Ø 6	Ø 10	Ø 16	Ø 6	Ø 10	Ø 16
B	Basic	○	○	-	-	-	-	-	-
E	Double-side bossed	-	○	-	-	-	-	-	-
D	Double clevis*	○	○	-	CJ-T010B	CJ-T016B	-	CJ-T010C	CJ-T016C
L	Single foot	○	○	CJ-L006B	CJ-L010B	CJ-L016B	CJ-L006C	CJ-L010C	CJ-L016C
M	Double foot	-	○	-	-	-	-	CJ-L010C (2)	CJ-L016C (2)
F	Rod flange	○	○	CJ-F006B	CJ-F010B	CJ-F016B	CJ-F006C	CJ-F010C	CJ-F016C
G	Head flange	○	○	CJ-F006B	CJ-F010B	CJ-F016B	CJ-F006C	CJ-F010C	CJ-F016C

*T-bracket is used with double clevis (D). Not available for bore size 6 mm.

■ Other accessories

Accessory	Old CJ2			CJ2-Z		
	Ø 6	Ø 10	Ø 16	Ø 6	Ø 10	Ø 16
Single knuckle joint*	-	I-J010B	I-J016B	-	I-J010C	I-J016C
Clevis pin*	-	CD-J010	CD-Z015	-	CD-J010	CD-Z015
Knuckle pin*	-	CD-J010	IY-J015	-	CD-J010	IY-J015
Double knuckle joint*	-	Y-J010B	Y-J016B	-	Y-J010C	Y-J016C
Mounting nut	SNJ-006B	SNJ-010B	SNJ-016B	SNJ-006C	SNJ-010C	SNJ-016C
Rod end nut	NTJ-006A	NTJ-010A	NTJ-015A	NTJ-006B	NTJ-010C	NTJ-015C
Rod end cup (flat type)	CJ-CF006	CJ-CF010	CJ-CF016	CJ-CF006	CJ-CF010	CJ-CF016
Rod end cup (round type)	CJ-CR006	CJ-CR010	CJ-CR016	CJ-CR006	CJ-CR010	CJ-CR016

*Not available for bore size 6 mm.