

MY1B-Z series
Mechanically jointed rodless cylinder. Basic type

Improved features and related benefits

FEATURE: Covers have been modified to improve port variations (from 3 to 4 directions), accessibility to cushion needle (from side to top) and to reduce the overall weight.

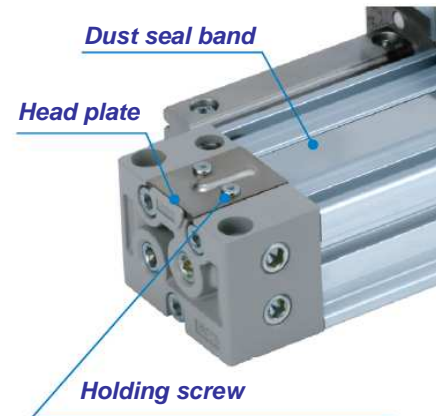
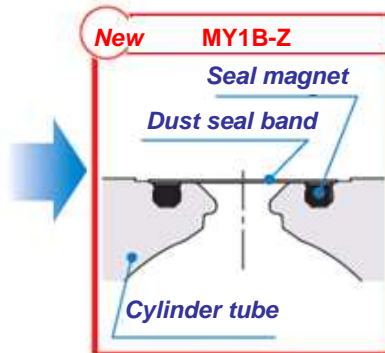
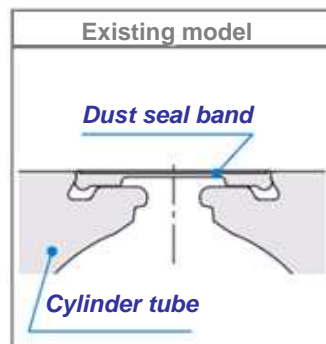
CUSTOMER BENEFIT: Space saving and contribution to overall weight reduction.



If the cushion needle location is required to be placed in the cylinder lateral face as in the previous model, specify "-X2232"

FEATURE: New dust seal band is changed from groove mounting to magnetically sealed type to reduce the ingress of foreign matter. The dust seal band can be removed by loosening the two mounting screws.

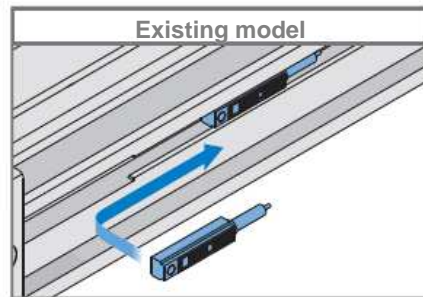
CUSTOMER BENEFIT: Improved reliability and reduction of maintenance costs.



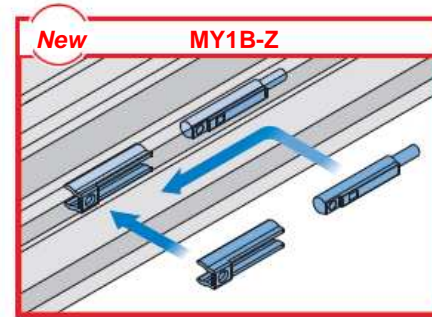
Improved features and related benefits

FEATURE: New body profile allows the front mounting of D-M9#/D-A9# auto-switches in any desired position and contributes to overall weight reduction.

CUSTOMER BENEFIT: Reduction of labour cost for auto-switch mounting



Insert at the notch and slide along the groove



Front mounting

FEATURE: New block type floating bracket is now available.

CUSTOMER BENEFIT: Enhanced flexibility when connecting the cylinder to external guiding systems



Technical details

▪Cylinder options

	Bore size									
	10	16	20	25	32	40	50	63	80	100
Standard	○	○	○	●	●	●	○	○	○	○
-XB11 Long stroke type	○	○	○	●	●	●	○	○	○	○
-XB22 Long stroke type	○		○	●	●	●				
-XC67 NBR lining in dust seal band		○	○	X	X	X	○	○		
-X168 Helical insert thread	(○)	○	○	●	●	●	○	○	○	○

● - Refreshed product MY1B-Z

○ - Available with existing product MY1B

X - The option XC67 is discontinued for MY1B-Z due to the change in the dust seal band

(○) - Available by special order

▪Applicable auto-switches

	Existing MY1B		MY1B-Z	
	Perpendicular	In-line	Perpendicular	In-line
Solid state type	D-M9#V#	D-M9#	D-M9#V#	D-M9#
Reed type	-	D-Z7#	D-A9#V	D-A9#

▪Product weight

Bore size	Basic weight		Additional weight per 50mm stroke	
	MY1B	MY1B-Z	MY1B	MY1B-Z
25	1,33	1,14	0,12	0,11
32	2,65	2,28	0,18	0,17
40	3,87	3,11	0,27	0,25

**Mounting dimensions (except port positions) are fully interchangeable.
General specifications are also maintained.**

Technical details

▪ Maintenance parts

		Ø 25	Ø 32	Ø 40
Existing MY1B	Seal belt	MY25-16A-[Stroke]	MY32-16A-[Stroke]	MY40-16A-[Stroke]
	Dust seal band	MY25-16B-[Stroke]	MY32-16B-[Stroke]	MY40-16B-[Stroke]
	O-ring	Ø5.1XØ3XØ1.05	Ø7.15XØ3.75XØ1.7	Ø7.15XØ3.75XØ1.7
	Side scraper	MYB25-15BA5900B	MYB32-15BA5901B	MYB40-15BA5902B
	Scraper	MY1B25-PS	MY1B32-PS	MY1B40-PS
	Piston seal			
	Cushion seal			
	Tube gasket			
	O-ring			
MY1B-Z	Seal belt	MY25-16C-[Stroke]	MY32-16C-[Stroke]	MY40-16A-[Stroke]
	Dust seal band	MY1B25-16B-[Stroke]	MY1B32-16B-[Stroke]	MY1B40-16B-[Stroke]
	Cushion boss gasket*	MYB25-15BA5900B	MYB32-15BA5901B	MYB40-15BA5902B
	O-ring	Ø5.1XØ3XØ1.05	Ø7.15XØ3.75XØ1.7	Ø7.15XØ3.75XØ1.7
	Side scraper	MYB25-15BA5900B	MYB32-15BA5901B	MYB40-15BA5902B
	Scraper	MY1B25-PS	MY1B32-PS	MY1B40-PS
	Piston seal			
	Cushion seal			
	Tube gasket			
O-ring				

Maintenance part is changed

Additional maintenance part

