

(1) Product specifications

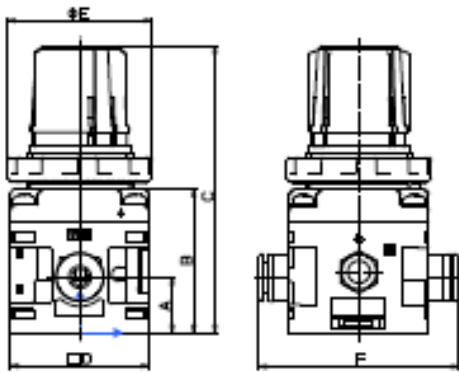
Specification	New model		Current model		
	IRV10	IRV20	IRV1000	IRV2000	IRV3000
Regulating pressure range	-100 to -1.3kPa		-100 to -1.3kPa		
Atmospheric intake consumption L/min (ANR)	Within 0.6		Within 0.6		Within 1
Maximum flow rate L/min (ANR)	140	240	60	100	150
Port size	Ø6, Ø8, Ø1/4", Ø5/16"	Ø6, Ø8, Ø10, Ø1/4", Ø5/16", Ø3/8"	Rc1/8	Rc1/4	Rc1/4, Rc3/8, Rc1/2
Weight (without accessories)	135g	250g	120g	270g	700g

(2) How to Order

	Series			Size			Port size		Accessories		Pressure gauge position			
	I	R	V											
CURRENT MODEL	I	R	V	1000	-	Nil	Nil	01	Nil	-	Nil			
				2000			N	02				B		
				3000			F	03				G		
								04						
NEW MODEL	I	R	V	10	-	Nil	C06	Nil	Nil					
				20			L					N07	B	G
												N09	L	Z
												N11		
	Series			Size		Fitting configuration	Fitting size	Accessories						

(3) Dimensions

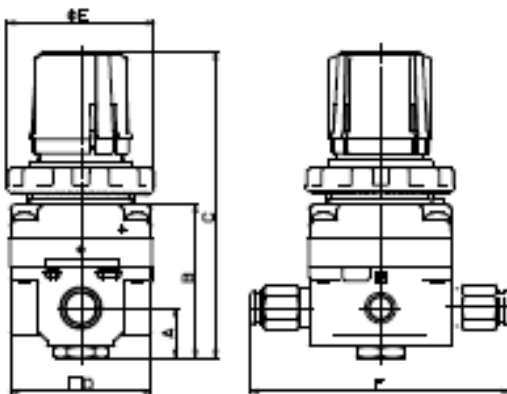
New Model



(mm)

	A	B	C	□D	φE	F
IRV10	21	43.8	83	35	37.5	59
IRV20	20	51.7	103	50	52	72

Current Model



(mm)

	A	B	C	□D	φE	F
IRV1000	13	39.8	79	35	37.5	83
IRV2000	18	54.7	106	50	52	105
IRV3000	22	77.8	130	66	56	110