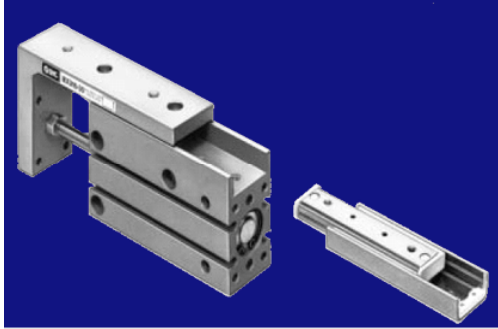
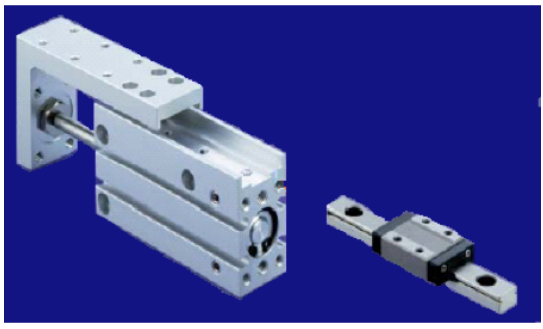


Comparisons between the MXU series and MXH series

Appearance

	Current model (to be discontinued)	New model
Model	MXU	MXH
Appearance		
Guide	Finite miniature liner guide	Infinite linear guide

Product comparisons

(1) Bore sizes & stroke variations

Model	Bore size				Stroke								
	6	10	16	20	5	10	15	20	25	30	40	50	60
MXH	6	10	16	20	5	10	15	20	25	30	40	50	60
MXU	6	10	16		5	10	15	20	25	30			

Note: As compared with the MXU series, a wider variety of bore and stroke sizes will be prepared for the MHH series.

(2) Dimensions

	Bore size							
	6		10		16		20	
	MXH	MXU	MXH	MXU	MXH	MXU	MXH	MXU
Height	39	39	47	47	53.5	53.5	64.5	-
Width	16	16	20	20	25	25	32	-
Overall length	39.5+stroke e	41+stroke	46.5+stroke e	48+stroke	56+stroke	56+stroke	68+stroke e	-

Note: The MXH series is equal to the MXU series in height and width. The MXH is shorter than the MXU series in the overall length.

(3) Allowable moment

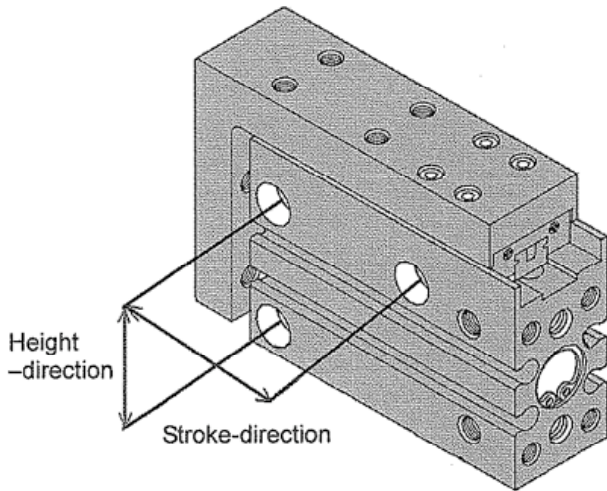
	Bore size							
	6		10		16		20	
	MXH	MXU	MXH	MXU	MXH	MXU	MXH	MXU
Pitching moment (Mp)	0.47	0.076	0.96	0.10	1.88	0.19	3.14	-
Yawing moment (My)	0.39	0.066	0.82	0.09	1.59	0.17	2.75	-
Rolling moment (Mr)	0.59	0.074	1.37	0.21	2.75	0.46	5.49	-

Note: All of the above moments are at least six times those for the MXU series.

■ Dimensional interchangeability between the MXU series and MXH series :

○ Mounting of cylinder

① Lateral mounting



Stroke \ Bore	5	10	15	20	25	30
6	○	○	○	○	▲	▲
10	○	○	○	○	▲	▲
16	▲	▲	▲	▲	○	○

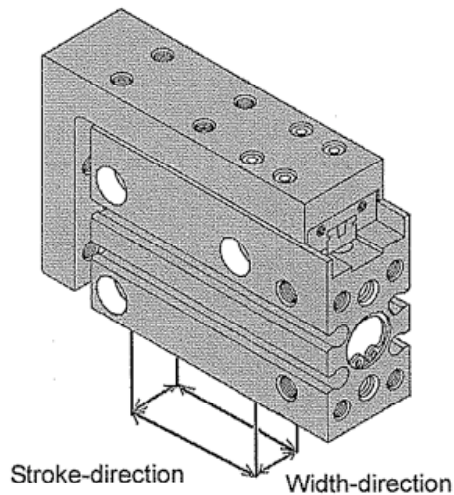
○ . . . Height-direction · Stroke-direction: Interchangeable

▲ . . . Height-direction : Interchangeable

Stroke-direction : Not interchangeable

※ The mounting thread sizes remain unchanged.

② Vertical mounting



Stroke \ Bore	5	10	15	20	25	30
6	○	○	○	○	○	○
10	○	▲	▲	▲	▲	○
16	▲	○	▲	○	▲	▲

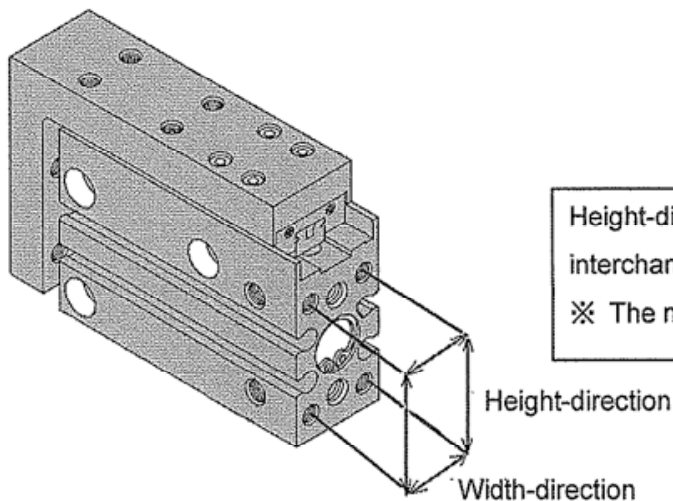
○ . . . Side-direction · Stroke-direction: Interchangeable

▲ . . . Side-direction : Interchangeable

Stroke-direction : Not interchangeable

※ The mounting thread sizes remain unchanged.

③ Axial mounting



Height-direction · Width-direction are interchangeable in all sizes.

※ The mounting thread sizes remain unchanged.