



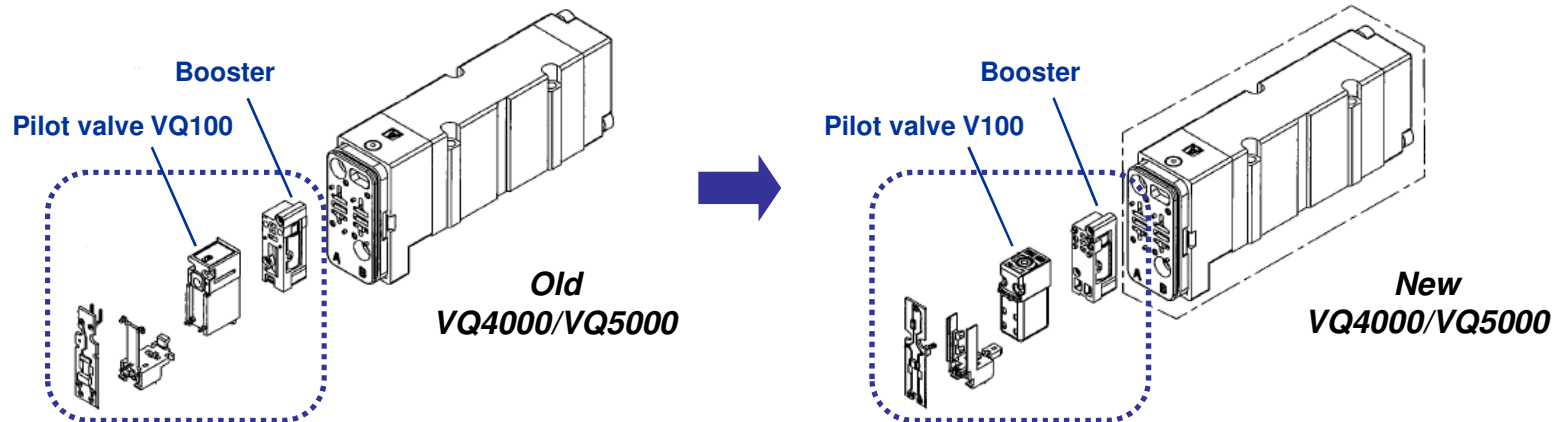
New VQ4000/5000 series 5 port solenoid valve

Improved features and related benefits

FEATURE: The pilot valve has been changed from VQ100 to V100 in order to reduce the power consumption from 1.0 W and 0.5 W in the standard and the low wattage types respectively, to 0.95 W and 0.4 W.

CUSTOMER BENEFIT: - Cost savings due to energy saving.

- With this new pilot valve there is the possibility to drive cylinders up to \varnothing 180 mm, whereas with the old pilot valve only up to \varnothing 140 mm.



Improved features and related benefits

FEATURE: Maximum operating pressure of the low wattage type (0.4 W) has increased from 0.7 MPa to 1.0 MPa.

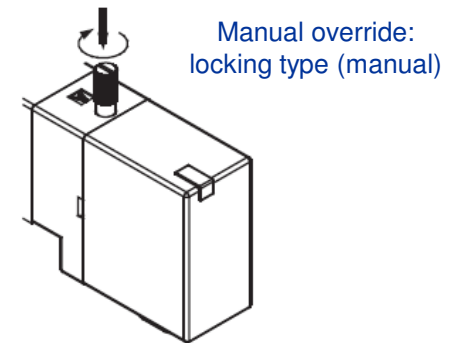
CUSTOMER BENEFIT: Improved flexibility to use low wattage type.

FEATURE: New strainer built into the V100 pilot valve flow supply passage that prevents foreign matter from entering.

CUSTOMER BENEFIT: Improved life and increased contamination resistance.

FEATURE: New locking type added to already existing manual pilot valve overrides, which does not require tools.

CUSTOMER BENEFIT: Improved flexibility.



Technical details

■ Standard specifications

		Old VQ4000/5000	New VQ4000/5000
Maximum operating pressure [Mpa]	Standard type	1.0	1.0
	Low wattage type	0.7	1.0
Coil rated voltage [V DC]		12, 24	12, 24
Allowable voltage fluctuation		±10 % of rated voltage	±10 % of rated voltage
Power consumption [W]	12 V DC	Standard type	1 W DC
		Low wattage type	0.5 W DC
	24 V DC	Standard type	1 W DC
		Low wattage type	0.5 W DC
Manual override		Non-locking push type (Tool required) Locking type (Tool required)	Non-locking push type (Tool required) Locking type (Tool required) Locking type (Manual)

Different specifications

Flow characteristics and response time remain unchanged (except few references that now are 3-4 ms slower (2-position double metal and rubber seal), from 12 and 15 ms to 16 and 17 ms respectively). Rest of features remain unchanged.

■ Dimensions

As there are no changes in external dimensions, the manifold base and plug lead connectors are interchangeable.

As there are differences in the mounting hole pitches, the pilot or booster valves only are not interchangeable. In case new pilot valve wants to be mounted in old VQ4000/5000, please order the pilot valve assembly V118-□-□□, where the pilot valve and booster valve come as a set.