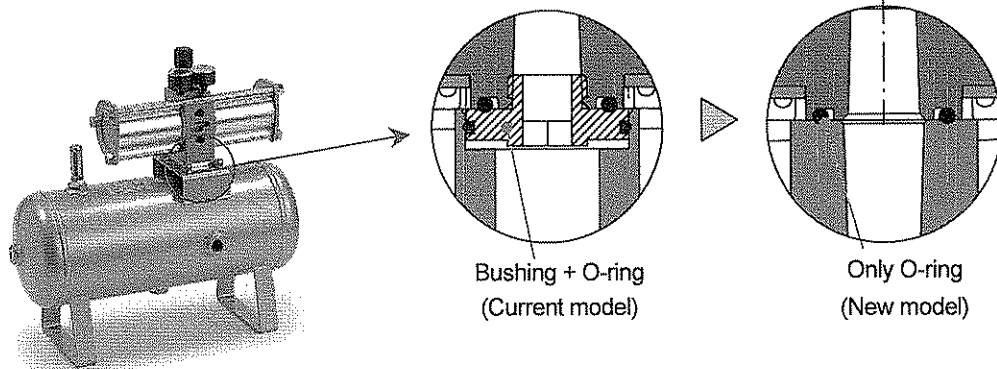


Details 1

Improvement in the joint portion between the booster regulator and air tank

Man-hour used for mounting the bushing can be reduced because the bushing will no longer be used.



Details 5

Modification to IN port size
[Refer to the table 1.]

Details 2

Booster regulator mounting bolt & Accessories [Refer to table 3.]

Details 3

Man-hour used for mounting the plug on the tank can be eliminated for the customer who does not use the safety valve. (Refer to the table 5.)

The safety valve port is only available as a "with safety valve" option.

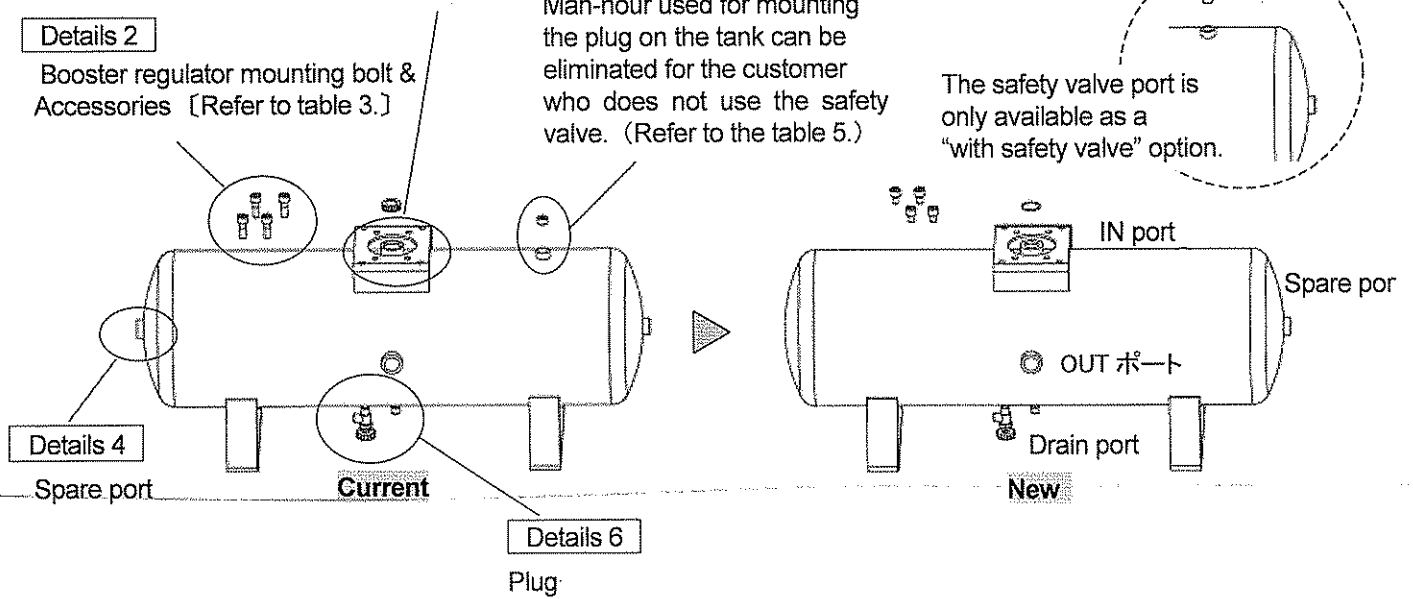


Table 1. Modification to IN port

(Rc)

Model (carbon steel) Model (SUS)	VBAT05A VBAT05S	VBAT10A VBAT10S	VBAT20A VBAT20S	VBAT38A VBAT38S
Current model	3/8	1/2	3/4	3/4
New model	3/8	3/8	1/2	1/2

Table 2. Modification to bushing assembly for connection

Model (carbon steel)	VBAT05A	VBAT10A	VBAT20A	VBAT38A
Model (SUS)	VBAT05S	VBAT10S	VBAT20S	VBAT38S
Current model	VBAT5A-Y-1	VBAT10A-Y-1	VBAT20A-Y-1	
New model Only O-ring	P 18	P 18 ID=18W=6	ID=18W=6	

The bushing and O-ring are sold as a set for the current VBAT*A-Y-1.

Table 3. Modification to hexagon socket head cap screw length

Model (carbon steel)	VBAT05A	VBAT10A1	VBAT20A	VBAT38A
Model (SUS)	VBAT05S	VBAT10S	VBAT20S	VBAT38S
Current model	M5 × L18	M5 × L18 M10 × L30	M10 × L30	
New model	M5 × L18	M5 × L18 M10 × L15	M10 × L15	

The material is steel.

Table 4. Modification to plug material for drain port

Model	VBAT05A	VBAT10A	VBAT20A	VBAT38A
Current model	SUS			
New model	Steel			
Model	VBAT05S	VBAT10S	VBAT20S	VBAT38S
Remains unchanged	SUS			

Table 5. Modification to plug for safety valve port

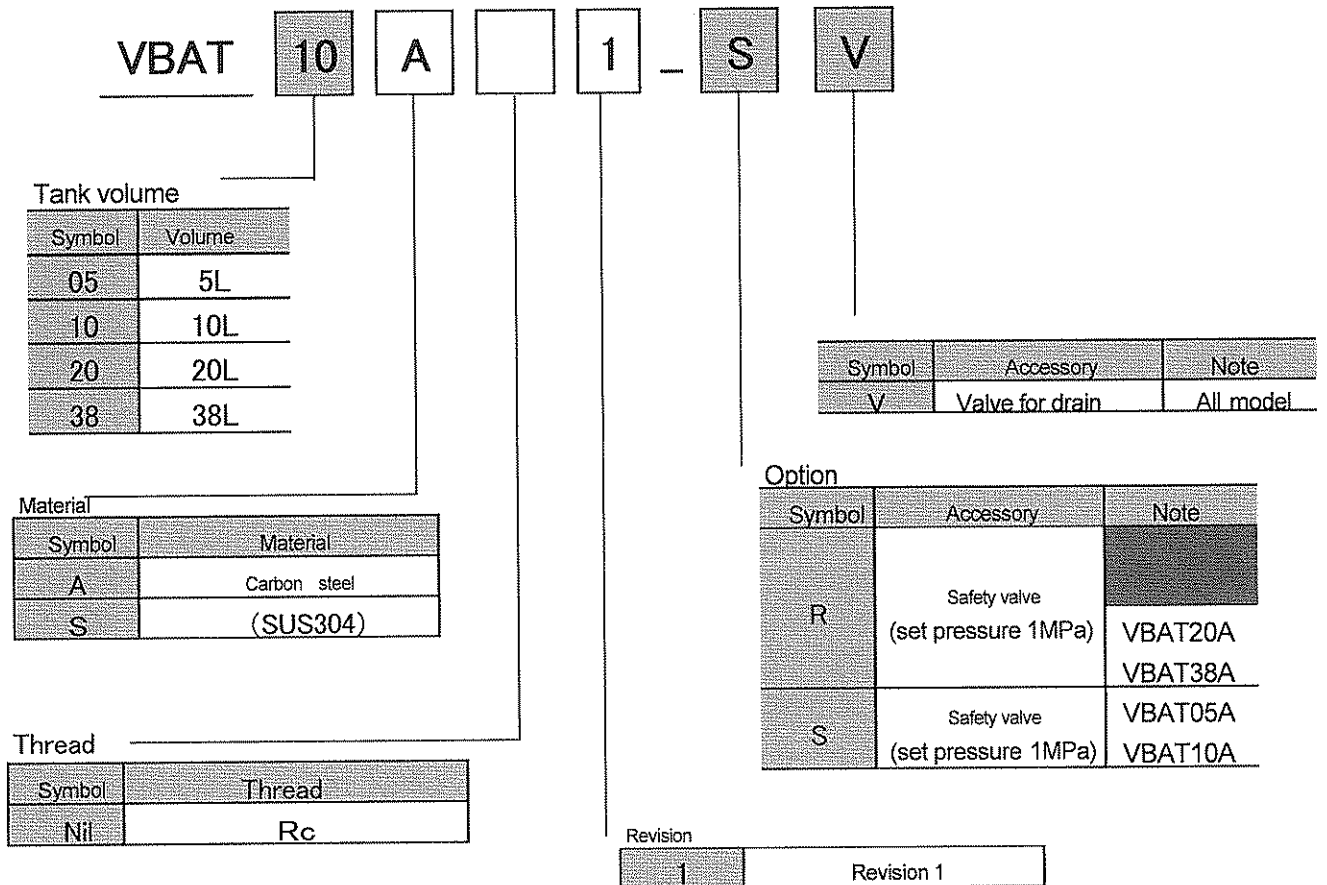
Model	VBAT05A	VBAT10A	VBAT20A	VBAT38A
	VBAT05S	VBAT10S	VBAT20S	VBAT38S
Current model	Hexagon socket head taper plug R1/4			
New model	Not attached			

Table 7. How to Order

The suffix for the revision "1" should be added to the current How to Order information when placing an order for the new model. I.e., VBAT*~~A~~→VBAT*A1.

The standard model has been modified ahead of specials.

The current CE-marked model is available with "-Q " until the new model is CE-marked. Specials and international standard models will be available in order of precedence.



Supply of accessories for discontinued product (advance notice)

4 years have passed since the old VBAT20 and VBAT38 (including specials) discontinued.

The bushing assembly and set of accessories will be supplied until July 2010.

Applicable part number: VBAT20-Y-1 (bushing assembly)

VBAT20-Y-2 (tank accessories)