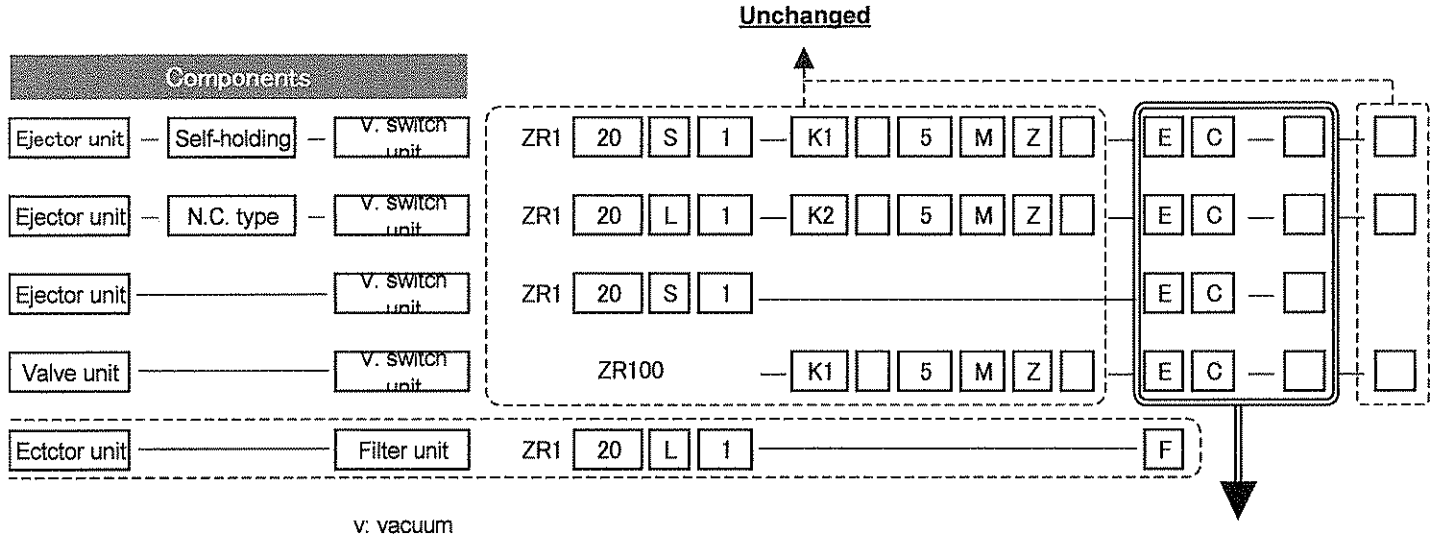


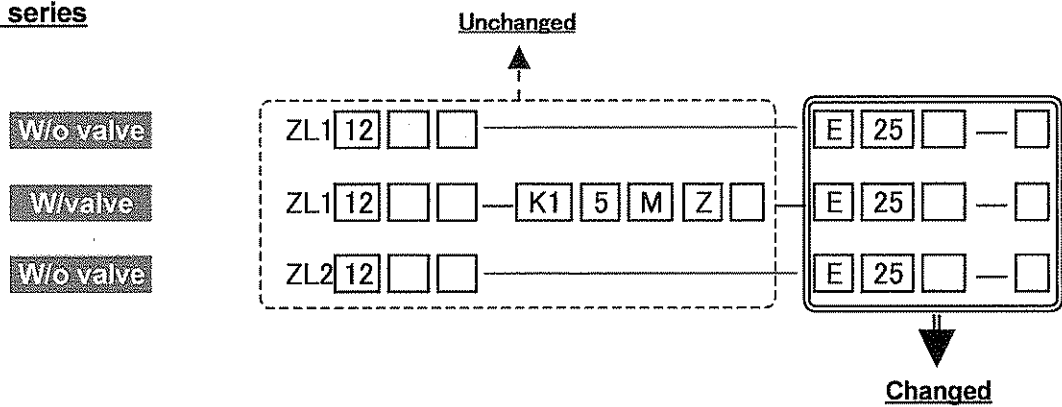
How to Order ZR series



Details on changes shown in the upper right

D	N			
				Option (connector/lead wire specification)
				In case of digital vacuum switch (ZSE30A) specification (D)
				Nil : Without lead wire
				L : Lead wire with connector (2m)
				In case of vacuum switch (ZSE2) specification (E)
				Nil : Grommet/lead wire (0.6m)
				L : Grommet/lead wire (3m)
				C : Lead wire with connector (0.6m)
				CL : Lead wire with connector (3m)
				CN : With connector without lead wire
				In case of filter specification (F)
				Nil : None
				Unit specifications
				In case of digital vacuum switch (ZSE30A) specification (D)
				Nil : With unit switching funct
				M : SI unit only
				P : With unit switching function (initial value: PSI)
				In case of vacuum switch (ZSE2) specification (E)
				Nil : None
				In case of filter specification (F)
				Nil : None
				Output specification
				Digital vacuum switch (ZSE30A) specification (D)
				N : NPN open collector 1 output
				P : PNP open collector 1 output
				A : NPN open collector 2 outputs
				B : PNP open collector 2 outputs
				C : NPN open collector 1 output + Analog voltage output
				D : NPN open collector 1 output + Analog current output
				E : PNP open collector 1 output + Analog voltage output
				F : PNP open collector 1 output + Analog current output
				In case of vacuum switch (ZSE2) specification (E)
				Nil : NPN open collector 1 output
				55 : PNP open collector 1 output
				In case of filter specification (F)
				Nil : None
				Combinations of switch and filter
				Nil : None
				D : Digital vacuum switch (ZSE30A) + Filter
				E : Vacuum switch (ZSE2) + Filter
				F : Filter

How to Order ZL series



Details on changes shown in the upper right

— [D] [N] [] [L]

Lead wire

L : Lead wire (1.9m)

Unit specifications

Nil	: With unit switching function
M	: SI unit only
P	: With unit switching function (Initial value: PSI)

Switch specification (Only applicable to vacuum pressure switch specification)

N:	ZSE30A series 1 NPN output open collector digital vacuum switch
P:	ZSE30A series 1 PNP output open collector digital vacuum switch
A:	ZSE30A series 2 NPN output open collector digital vacuum switch
B:	ZSE30A series 2 PNP output open collector digital vacuum switch
C:	ZSE30A series 1 NPN output open collector digital vacuum switch + Analog voltage output
D:	ZSE30A series 1 NPN output open collector digital vacuum switch + Analog current output
E:	ZSE30A series 1 PNP output open collector digital vacuum switch + Analog voltage output
F:	ZSE30A series 1 PNP output open collector digital vacuum switch + Analog current output

Vacuum pressure detection

Nil	: None
GN	: Vacuum port adapter Rc1/8
G	: Vacuum pressure gauge
D	: Vacuum pressure switch

Specification comparisons between old and new models

Model number	Old model			New model
	ZSE4-00-※-X105	ZSE4B-00-※-X105	ZSE4E-00-※-X105	ZSE30A-00-N-ML-X505
Rated pressure range	0~-101kPa		10~-101kPa	0.0~-101.0kPa
Set pressure range	0~-101kPa		10~-101kPa	10.0~-105.0kPa
Proof pressure	200kPa			500kPa
Min. set unit	1kPa			0.1kPa
Fluid	Air, noncorrosive gas, nonflammable gas			Air, noncorrosive gas, nonflammable gas
Pover supply voltage	12~24VDC (10% ripple or less)			12~24VDC±10% 10% ripple or less (Pover supply polarity protection)
Current consumption	25mA or less	45mA or less	65mA or less	40mA (at no load)
Switch output	NPN or PNP open collector 1 output		NPN or PNP open collector 2 outputs	NPN or PNP open collector 1 output NPN or PNP open collector 1 outputs (selectable)
Max. load current	80mA			80mA
Max. applied voltage	30V			28V
Residual voltage	1V or less (at 80mA of load current)			1V or less (at 80mA)
Reponse time	5ms or less			2.5m or less (When anti-chattering function works: selectable: 20, 100, 500, 1000, 2000ms)
Short circuit protection	Equipped			Equipped
Repeatability	±1%F. S.			±0.2%F. S. ±1digit
Hysteresis mode	Variable (3-digit or more)		Variable	Variable (0~ variable)
Window comparator mo	Fixed (3-digit)			
Display	3 1/2 digit 7 segments LCD 1 color (Black)	3 1/2 digit 7 segments LCD 1 color (Black) With back light	3 1/2 digit 7 segments LED 1 color (Red)	4 digit 7 segments LCD 2 colors (Red/Green)
Accuracy	±3%F.S. (at 25°C of ambient temperature)			±2%F. S. ±1digit (at 25°C of ambient temperature)
Indication light	Light up when ON (Green)			Light up when ON (Green)
Enclosure	IP40			IP40
Temperature range	0~50°C (Neither freezing nor condensation)			During operation : 0~50°C In store : -10~60°C (Neither freezing nor condensation)
Humidity range	During operation and in store: 35~85%RH (non-condensation)			During operation, in store:35~85% RH (non-condensation)
Voltage resistance	AC1000V 50/60Hz between lead wire and body for 1 min.			AC1000V 50/60Hz between lead wire and body for 1 min.
Insulation resistance	2MΩ (at 500VDC mega) between lead wire and body			50MΩ or more (at 500VDC mage) between lead wire and body
Vibration resistance	10~500Hz at the smaller of amplitude 1.5m or acceleration 98m/s ² in X, Y, Z directions for 2hrs each			10~150Hz at the smaller of amplitude 1.5mm or acceleration 20m/s ² in X, Y, Z directions for 2hrs
Impact resistance	980m/s ² in X, Y, Z directions 3 times each			100m/s ² in X, Y, Z directions 3 times each
Temperature characteristics	±3% F. S.			±2%F. S. (based on 25°C)
Lead wire	Oil resistant grommet Oilproof heavy-duty vinyl cord 3-core φ3.4 0.2mm ² 0.6m Cross-section area: 0.2mm ² (AWG26)		Oil resistant grommet Oilproof heavy-duty vinyl cord 4-core φ3.4 0.2mm ² 0.6m area: 0.2mm ² (AWG26)	Oilproof heavy-duty vinyl cord 3-, 4-core Corss-section area: 0.15mm ² Insulator outer diameter: 1.0mm
Standard				CE UL/CSA RoHS-compliant