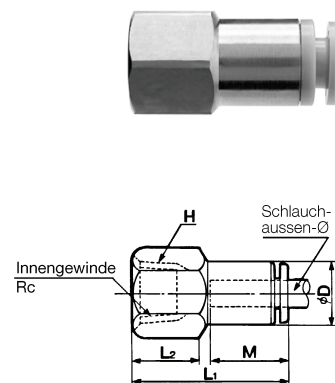


Steckverbindungen KQ2

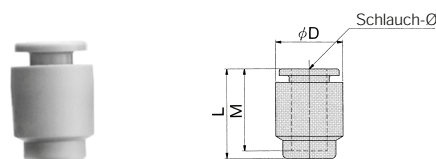
Gerade Steckverbindung: KQ2F

Schlauch- ausser-Ø [mm]	Gewinde Rc, T	Bestell- nummer	H	ØD	L ₁	L ₂	M	S [mm ²]		Masse [g]
								N	P	
4	1/8	KQ2F04-01	14	10	27	11	16	5.6	5.6	15.2
	1/4	KQ2F04-02	17		31	14				22.9
6	1/8	KQ2F06-01	14	12	27.5	11	17	13.1	13.1	15.3
	1/4	KQ2F06-02	17		31	13				22.4
	3/8	KQ2F06-03	19		33.5	15				24.5
8	1/8	KQ2F08-01	14	14	29	11	18.5	26.1	18.0	16.5
	1/4	KQ2F08-02	17		32.5	13				24
	3/8	KQ2F08-03	19		33.5	14				23.9
10	1/4	KQ2F10-02	17	17	34.5	14	21	41.5	18.0	27
	3/8	KQ2F10-03	19		36.5	15				29.6
12	1/4	KQ2F12-02	19	19	35	14	22	58.3	46.1	35.7
	3/8	KQ2F12-03	19		37	14				30.6
	1/2	KQ2F12-04	24		41	18				51.8
16	3/8	KQ2F16-03	24	25.7	38	15	25	81	81	59
	1/2	KQ2F16-04	24		43	19				113



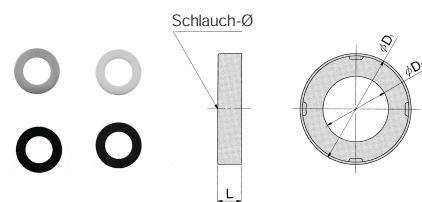
Gerade Steckverbindung: KQ2C

Schlauch- ausser-Ø [mm]	Bestellnummer	ØD	L	M	Masse [g]
4	KQ2C04-00	10.4	17	16	3
6	KQ2C06-00	12.8	18.5	17	3
8	KQ2C08-00	15.2	20.5	18.5	4
10	KQ2C10-00	18.5	23	21	6
12	KQ2C12-00	20.9	24	22	8
16	KQ2C16-00	26.5	27	24	13



Farbige Aufsteckhülse: KQC

Schlauch- ausser-Ø [mm]	Bestellnummer	ØD ₁	ØD ₂	L	Masse [g]	verwendbare Typen
4	KQC-04 ●	10.1	5.2	2.9	0.1	
4	KQC-04A- ●	8.5	5	2.2	0.1	KQH, KQ2H04-M5 KQS, KQ2S04-M5
4	KQC-04B- ●	9.7	5	2.2	0.1	KQL, KQ2L04-M5 KQT, KQ2T04-M5 KQY, KQ2Y04-M5
6	KQC-06 ●	12.1	7.2	2.9	0.1	
6	KQC-06A- ●	10.5	7	2.2	0.1	KQH, KQ2H06-M5 KQS, KQ2S06-M5
6	KQC-06B- ●	12.0	7	2.2	0.1	KQL, KQ2L06-M5 KQT, KQ2T06-M5 KQY, KQ2Y06-M5
8	KQC-08 ●	14.1	9.2	2.9	0.1	
10	KQC-10 ●	17.1	11.2	2.9	0.2	
12	KQC-12 ●	19.1	13.2	2.9	0.2	
16	KQC-16 ●	26.3	17.2	3.9	0.3	



● Farben: R = rot, Y = gelb, G = grün, W = weiss, YR = orange, B = schwarz