



## Installation and Maintenance Manual

### Series 52-IP8001 Smart Positioner (Lever type)

II 1G Ex ia IIC Ga T4/T5 Ta ≤ 80°C, T6 Ta ≤ 60°C

Read this manual before using this product

- The information within this document is to be used by pneumatically trained personnel only.
- For future reference, please keep manual in a safe place.
- This manual should be read in conjunction with the current catalogue.

#### ATEX marking description

II 1G Ex ia IIC Ga T4/T5 Ta ≤ 80°C, T6 Ta ≤ 60°C

Group II Category 1 G - Suitable for Gas environment  
Ex ia - Intrinsic Safety IIC - Explosion Group T4/T5/T6 - Temperature classification  
Ta - Ambient Temperature range

## 1 SAFETY RECOMMENDATION

### 1.1 General recommendation

These safety instructions are intended to prevent a hazardous situation and/or equipment damage. These instructions indicate the level of potential hazard by label of "Caution", "Warning" or "Danger".

To ensure safety of personnel and equipment the safety instructions in this manual and the product catalogue must be observed, along with other relevant safety practices.

**CAUTION:** Operator error could result in injury or equipment damage.

**WARNING:** Operator error could result in serious injury or loss of life.

**DANGER:** In extreme conditions, there is a possible result of serious injury or loss of life.

#### WARNING:

- The compatibility of pneumatic equipment is the responsibility of a person who designs the pneumatic system or decides its specification.**
  - Since the products specified here are used in various operating conditions, their compatibility for the specific pneumatic system must be based on specifications or after analysis and/or tests to meet your specific requirements.
- Only trained personnel should operate pneumatically operated machinery and equipment.**
  - Compressed air can be dangerous if an operator is unfamiliar with it. Assembly, handling or repair of pneumatic systems should be performed by trained and experienced operators.
- Do not service machinery/equipment or attempt to remove components until safety is confirmed.**
  - Inspection and maintenance of machinery/equipment should only be performed after confirmation of safe of dangerous fluid.
  - When equipment is to be removed, confirm the safety process as mentioned above. Switch off air and electrical supplies and exhaust all residual compressed air in the system.
  - Before machinery/ equipment is re-started, ensure all safety measures to prevent sudden movement of cylinders etc. (Bleed air into the system gradually to create backpressure, i.e. incorporate a soft-start valve).
- Contact SMC if the product is to be used in any of the following conditions:**
  - Conditions and environments beyond the given specifications, or if product is used outdoors.
  - Installation on equipment in conjunction with atomic energy, railway, air navigation, vehicles, medical equipment, food and beverages, recreation equipment, emergency stop circuits, press applications, or safety equipment.
  - An application, which has the possibility of having negative effects on people, property, or animals, requiring special safety analysis.

## 2 SAFETY RECOMMENDATION (CONTINUED)

#### CAUTION:

- Ensure that the air supply system is filtered to 0.3 micron.

### 1.2 Specific recommendations

- If the input current is disconnected during use, the output of OUT1 will become 0MPa and the output of OUT2 will reach its maximum, regardless of the operating direction of the parameter mode (parameter code: 200), whether direct or in reverse.
- If reverse operation is selected in parameter mode (parameter code: 200), when the power supply is turned off, OUT1 output will become 0MPa and the positioner will start moving toward input current 20mADC direction.
- Depending on the parameter's setting, the actuator will move erratically when an input current of 4mA DC is applied.
- There is a capacitor for noise prevention between FG terminal (case) and each input / output terminal of the positioner respectively. Therefore, avoid conducting withstand voltage testing or insulation resistance testing between the terminal and case.
- Please refer to the Operation manual for further details.

## 2 INTENDED CONDITIONS OF USE

### 2.1 Specifications

Protect the unit from impact and dropping during installation and when mounted. This may cause failure of the unit.

- Do not use the unit in places with high humidity & temperature. This may cause malfunctions.
- Do not use this positioner outside of the range of it's specifications as this can cause failure.

Table1 Specifications

Item	Model	
	52-IP8001-0***-**-**	
Input current	4~20mADC *1 (2 wire system, Separate power source unnecessary)	
Minimum current	3.85mADC or more	
Voltage between terminals	12VDC (Input resistance equivalent to 600Ω, at 20mADC)	
Max supply power	1W *2 (100mADC, 28VDC)	
Supply air pressure	0.14~0.7MPa	
Standard stroke	10°~30°*3	
Sensitivity	±0.2%F.S. or less *4	
Linearity	±1%F.S. or less *4	
Hysteresis	0.5%F.S. or less	
Repeatability	±0.5%F.S. or less	
Temperature coefficient	0.05%F.S./°C or less	
Max output flow rate	80 l/min(ANR) or more (SUP=0.14MPa) *5 2 l/min(ANR) or less (SUP=0.14MPa) *5	
Air consumption	4 l/min(ANR) or less (SUP=0.4MPa) *5	
Ambient and Operating fluid temperature	-20°C to 80°C (T4/T5) -20°C to 60°C (T6)	
Explosion protected construction	ATEX Intrinsic safety type of explosion protected construction (CE 0344 Ex II 1G Ex ia IIC Ga T4/T5/T6) Approval No. Kema 07ATEX0155X	
Intrinsically Safe Parameters	Ui=28V, Ii=100mA, Pi=0.7W, Ci=12.5nF, Li=1.5mH	
Classification of degree of Protection	JISF8007 IP65 (IEC 60529)	
Communication Protocol	HART communication	
Air connection ports	Rc1/4 female thread (or G1/4 or 1/4NPT)	
Electrical connections	M20x1.5 female thread (or G1/2 or 1/2NPT)	
Material	Body/Cover : Die cast aluminium (Coating : Epoxy resin baked) Shaft / Screw : Stainless	
Weight	Approx 2.6kg	

\*1: 1/2 split range is available using the split range setting (parameter code: 300).

\*2: <Ex.> When applying an input current of 80mA DC, an input power supply voltage of 12.5V DC or less will prevent damage to the positioner.

Max. supply power = 80mA DC × 12.5V = 1W

\*3: If the feedback lever assembled to the positioner rotating angle is 30° or less, its stroke can be adjusted optionally in a range from 0 to 10° and from 0 to 30°. Please set the operation angle of the feedback lever to 10° when accuracy is required.

## 2 INTENDED CONDITIONS OF USE (CONTINUED)

- \*4: Linearity is a characteristic checked without loads using a factory inspection machine. The positioner can not work independently and is used as a part of loop including actuating equipment such as a valve, actuator and DCS. Therefore, it should be noted that the described characteristic values may vary depending on the loop conditions.
- \*5: (ANR) indicates standard air in accordance with JIS B0120.

Table2 Specifications of options

Item	Model	
	52-IP8001-0***-**-**	
Alarm output1, 2 *6		
Corresponding standard	DIN19234 / NAMUR Standard	
Wiring method	2 wire system	
Power supply voltage	5~28VDC	
Output current	ON : 2.1mADC or more OFF : 1.2mADC or less	
Analogue output *7		
Wiring method	2 wire system	
Supply source voltage	10~28V DC	
Output current	4~20mADC (Min.:3.85mADC / Max.: 24mADC)	
Load resistance	0~750Ω	
Accuracy	±0.5%F.S. or less *8	
Intrinsically Safe Parameters	Same as Table1 Specifications	

\*6: When no input current has been applied, an alarm is output. Fig. 1 shows an internal alarm circuit.

\*7: Connect a load resistance with consideration given to the minimum power supply voltage.

\*8: Analogue output accuracy to position value (P value) in the LCD display.

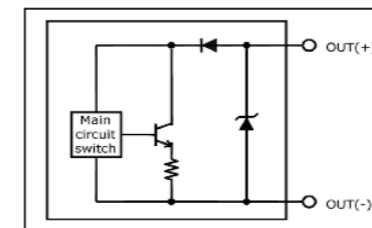
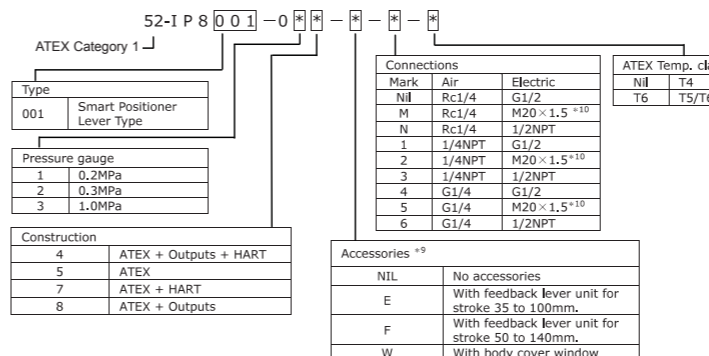


Fig. 1

### 2.2 How to Order



\*9: If two or more accessories are required, the part numbers should be made according to alphabetical order.

\*10: M20x1.5 blue cable gland is provided for electrical connection.

## 3 INSTALLATION

#### WARNING:

- Do not install unless the safety instructions have been read and understood.
- Avoid hitting the product with metallic objects.
- Avoid using this product in non-explosive environments which can become explosive due to air leakage.
- If the system is in possible danger because of failure of the positioner, prepare the system with an alternative safety circuit to avoid danger.
- When using this product in hazardous areas, ensure that the operational speed of the moving parts is less than 1m/s, and that the actuator is not hunting.
- The Smart Electro Pneumatic Positioner has an aluminium alloy enclosure. When used in a potentially explosive atmosphere requiring the use of category 1G equipment, the apparatus must be installed so that, in the event of rare incidents:
  - an ignition source due to impact or friction is excluded.
  - an ignition source due to electrostatic charging is excluded (for models with a plastic window)
- Take care during normal conditions of use, maintenance and cleaning to avoid danger of ignition due to electrostatic charges. Do not clean with a soft dry cloth.

## 3 INSTALLATION (CONTINUED)

### 3.1 Environment

#### WARNING:

- Do not use in an environment where the product is exposed to corrosive gas, chemicals, salt water, water or steam.
- Do not mount the product in a location where it is subject to strong vibrations and/or shock. When the positioner is used in places subject to vibrations, it is recommended that a suitable cable support be used to prevent the lead wires from breaking.
- Do not mount the product near the source of electrical noise.
- Do not mount the product in a location where it is exposed to radiant heat.
- Allow sufficient space for maintenance and adjustment around the product when mounted.
- This product should not be exposed to direct sunlight (UV light), which may generate a surface temperature higher than that given for the temperature classification. Install a suitable cover for protection against the effects of direct UV exposure.

### 3.2 Piping

#### CAUTION:

- Before piping make sure to clean up chips, cutting oil, dust etc.
- When installing piping or fitting into a port, ensure that sealant material does not enter inside the port. When using seal tape, leave 1.5 to 2 threads exposed on the end of pipe / fitting.
- Use de-humidified and dust-removed clean air as the supplied air source.
- The Positioner has very fine internal paths. Therefore please use clean air which is dehydrated and filtered, and also avoid using lubricant. In addition, use a cleaning system according to No. 4 or higher from the "Compressed Air Cleaning Equipment" listed in the manual for the air-supply cleaning systems.
- Avoid using compressed air containing chemicals, synthetic fluid including organic solvent, salinity, and corrosive gas as it may cause malfunction.

### 3.3 Electrical connection

#### CAUTION:

- Be sure to perform electrical wiring with the input current turned off.
- Be sure to use a grounding to prevent noise from interrupting input current and static electricity from damaging the positioner.
- Do not touch around the actuator axis when applying an input current after electrical wiring.
- Use an input current source (4 to 20mA DC) with a secure 12V DC or greater voltage as close as possible to the input current terminal to avoid voltage drops.
- Safety Barriers used in the Positioner supply circuit must be linear resistive output type barriers, in accordance with the I.S. Parameters given in the specifications (Table 1).
- Explosion proof cable gland supplied for M20x1.5 electrical connections (code M) is approved to ATEX II 2GD, but subsequently tested by the notified body in accordance with ATEX II 1GD during certification of the 52-IP8101 Positioner.

### 3.4 Mounting

#### WARNING:

- Confirm the positioner is securely and firmly mounted onto the actuator.
- Be careful not to get fingers caught when matching mounting positions.

#### CAUTION:

- Be sure to keep the necessary space available for maintenance work (piping, wiring, adjustment, etc.) in your setup location.
- Disconnect the supply pressure and ensure compressed air is discharged from the positioner and actuator completely before starting mounting.

### 3.5 Lubrication

#### CAUTION:

- The positioner has a fixed orifice and nozzle, which contain fine internal paths. Use filtered, dehydrated air and avoid the use of lubricants as this may cause malfunction of the positioner. Ensure that the air supply system is filtered to 0.3 micron.

### 3.6 Handling

#### CAUTION:

- Avoid applying impact to the body and torque motor of the positioner, and avoid excessive force to the armature because it may lead to failure. Handle with care during transportation and operation.
- If the positioner is left unused at the operation site for an extended period, ensure the body cover unit is fitted, and mount a plug on the wiring and piping ports. If the atmosphere is of high temperature or high humidity, take measures to avoid condensation inside the positioner. The condensation control measures must be taken thoroughly during export shipment.
- Be sure to mount the body cover unit when using the positioner. IP 65 cannot be guaranteed if the mounting condition of the body cover is incorrect. To achieve IP capability, tighten the screws with the appropriate torque (2.8 to 3.0Nm).
- When the External scale plate (option H) is selected, the scale plate indicator moves with the actuator. Take care to keep hands clear during actuator operation.

#### 4 WORKFLOW OF IP8001 POSITIONER SETUP

The workflow of IP8001 smart positioner from set-up to initial adjustment is shown below. Follow this flow when performing set-ups and adjustments of the positioner. Please refer to the manual for details.

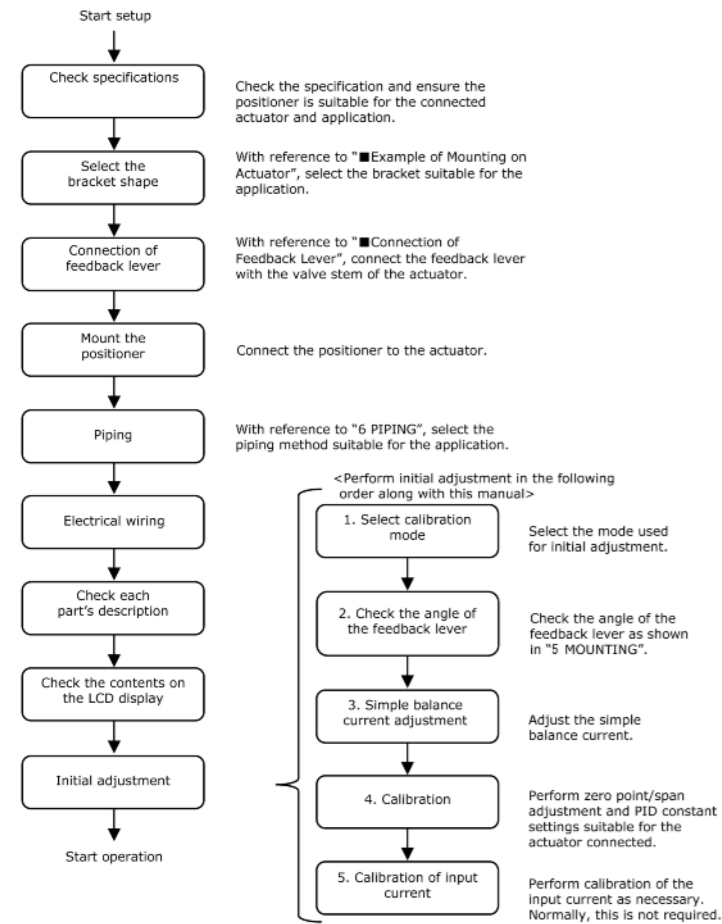


Fig. 2

#### 5 MOUNTING

##### Example of Mounting on Actuator

The IP8001 Smart Positioner offers interchangeability in mounting pitch with the IP600, IP6000 and IP8000 Positioners. Therefore, it is possible to apply a bracket for IP600, IP6000 and IP8000 for mounting.<sup>\*11</sup>

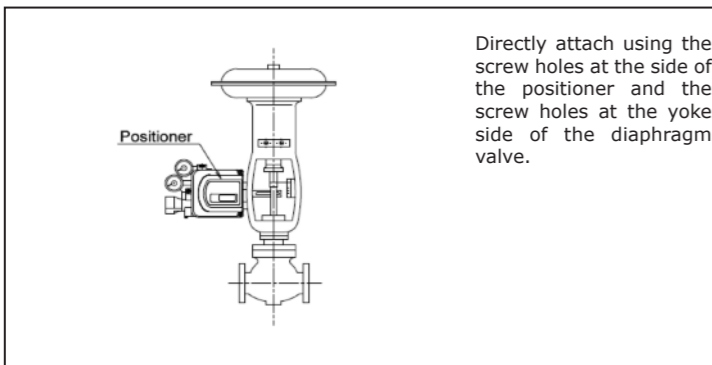


Fig. 3

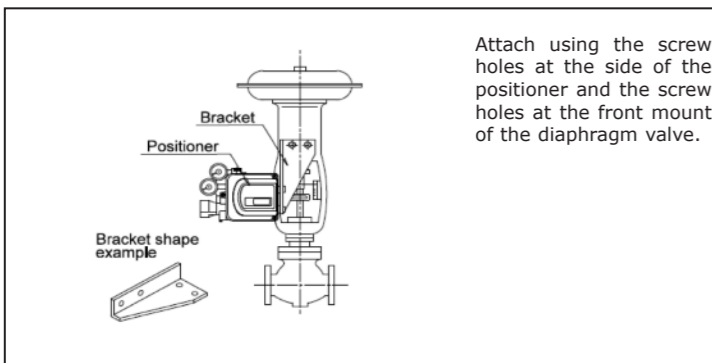


Fig. 4

#### 5 MOUNTING (CONTINUED)

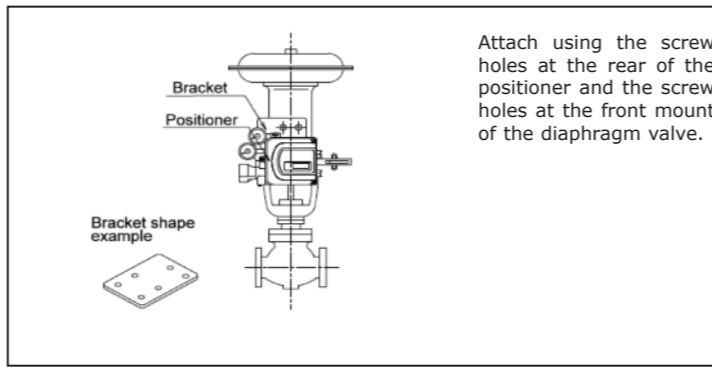


Fig. 5

\*11: There is a possibility that the connection and the feedback lever interfere when the IP600 type is exchanged for the IP8001 type. Please machine the connection or interpose the spacer between the positioner and the bracket at that time.

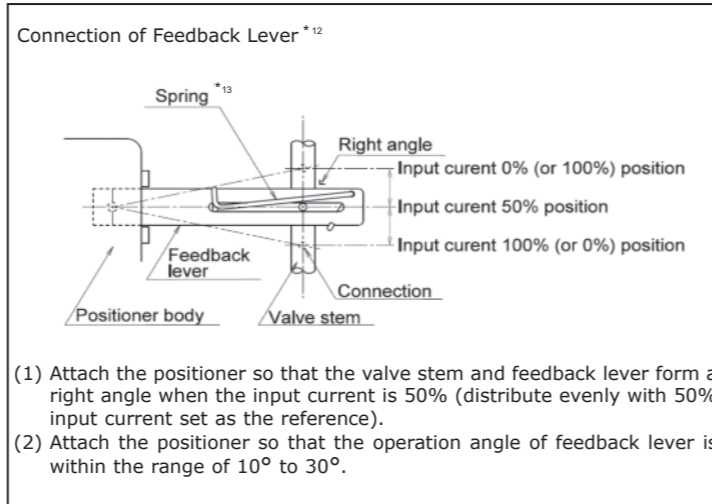


Fig. 6

\*12: Do not impact on the feedback shaft of the positioner when the feedback lever connected with the valve stem or installed in the positioner.

\*13: The installation direction of spring need not be changed by the difference of the direction of operation unlike the IP8000 type.

#### 6 PIPING

		Table 3	
		Single action	Double action
Normal operation	Actuation: The stem moves in the arrow direction when the input current increases.	Actuation: The stem moves in the arrow direction when the input current increases. (Normal operation using the reverse actuation drive unit).	Actuation: The cylinder rod moves in the arrow direction when the input current increases.
	OUT2: Plug	OUT1: Plug	OUT2: Plug
Reverse operation	Actuation: The stem moves in the arrow direction when the input current increases. (Reverse operation using the normal actuation drive unit).	Actuation: The stem moves in the arrow direction when the input current increases.	Actuation: The cylinder rod moves in the arrow direction when the input current increases.
	OUT1: Plug	OUT2: Plug	OUT1: Plug

#### 7 ELECTRICAL WIRING

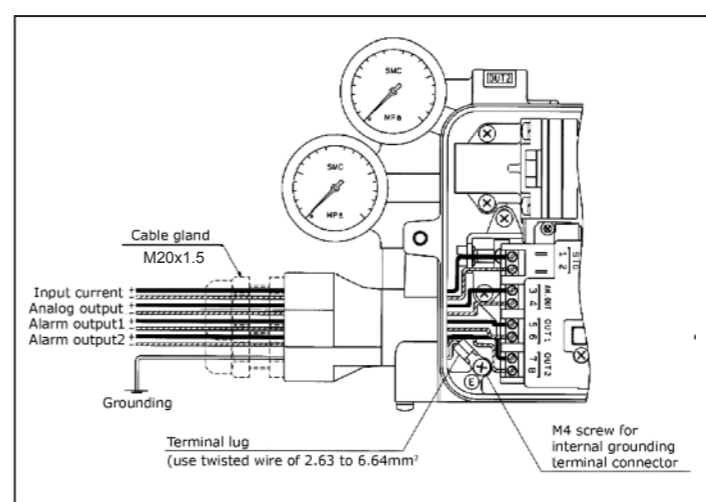


Fig. 7

- Remove the positioner body cover.
- Connect the input current wiring from an adjusting meter (controller) and connect each output wiring following Fig. 7. The input port of the electrical connection is equipped with a (blue) cable connector M20x1.5.

Note1: When the electrical connections are G1/2 or 1/2NPT option, the cable glands will not be provided.

Note2: Be sure to fit a plug when only one port of the W joint is used.

#### WARNING:

To use in an explosion protection specification the positioner may only be connected to a certified intrinsically safe electrical circuit with the following maximum values.

Parameters (current circuit)  
 $U_i=28V$ ,  $I_i=100mA$ ,  $P_i=0.7W$ ,  $C_i=12.5nF$ ,  $L_i=1.5mH$

#### 8 DESCRIPTION OF COMPONENTS

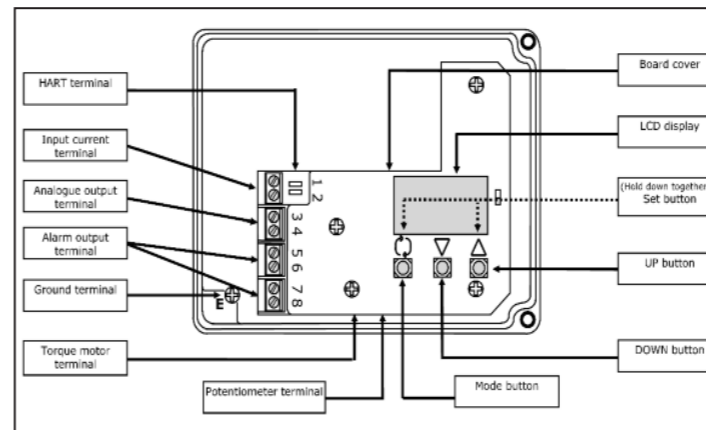


Fig. 8

#### 9 MAINTENANCE

#### WARNING:

- Do not dis-assemble the product. A product which has been dis-assembled cannot be guaranteed. Consult with SMC if dis-assembly is necessary.
- After installation, repair and dis-assembly, connect compressed air and perform a proper functional test and leak test. If bleed noise is louder than the initial state or operation is abnormal, stop operation and check if installation is correct or not.
- Modification of the electrical construction is prohibited to maintain explosion proof certification.

#### CAUTION:

- Check if supply air is clean. Inspect compressed air cleaning system periodically so that dust, oil and humidity, which can cause malfunction and failure of the unit, do not enter the equipment.
- If handled improperly, compressed air can be dangerous. Maintenance and replacement of unit parts should only be performed by trained and experienced personnel for instrumentation equipment, as well as following the product specifications.

#### 9 MAINTENANCE (CONTINUED)

- Check the positioner once a year. If excessively worn diaphragms, O-rings or seals are found, or any unit that has been damaged, replace with new units. Treatment at an early stage is especially important if the positioner is used in a place of severe environment like coastal area.
- Before removing the positioner for maintenance or replacing unit parts after installation, make sure the supply pressure is shut off and all residual air pressure is released from piping.
- When the fixed orifice is clogged with carbon particles or others, remove the pilot valve unit Auto/Manual switch screw (built-in fixed orifice) and clean it by inserting a φ0.2 wire into the aperture. If it must be replaced with a new one, stop the supply pressure and remove the stopper screw of the pilot valve unit.
- When disassembling the pilot valve, coat grease on the O-ring of the sliding section. (Use TORAY SILICONE SH45 grease)
- Check for air leaks from the compressed air piping. Air leaks could lower the performance characteristics of the positioner. Air is normally discharged from a bleed port, but this is necessary air consumption based on the construction of the positioner, and is not an abnormality if the air consumption is within the specified range.
- When replacing piping to change the operating direction, be sure to perform span adjustment (parameter code: C70).
- When removing the positioner from the actuator and mounting it onto another actuator, malfunctions may occur due to its retained initial constant. Therefore, when it is mounted onto other actuators, transmit the input current while cutting the air supply, and shift to parameter mode for adjustments.
- The balance current will change depending on the positioner orientation. Adjust the balance current (parameter code: C60) every time the orientation changes.
- Take care during normal conditions of use, maintenance and cleaning to avoid danger of ignition due to electrostatic charges. Do not clean with a soft dry cloth.

#### 10 LIMITATIONS OF USE

#### WARNING:

- Do not exceed any of the specifications laid out in section 2 of this document or the specific product catalogue.
- Read thoroughly and understand the operation manual before operation of this product.

#### 11 CONTACT LIST

AUSTRIA	(43) 2262 62 280	NETHERLANDS	(31) 20 531 8888
BELGIUM	(32) 3 355 1464	NORWAY	(47) 67 12 90 20
CZECH REP.	(420) 5 414 24611	POLAND	(48) 22 211 9600
DENMARK	(45) 70 25 29 00	PORTUGAL	(351) 21 471 1880
FINLAND	(358) 207 513513	SLOVAKIA	(421) 2 444 56725
FRANCE	(33) 1 64 76 1000	SLOVENIA	(386) 73 885 412
GERMANY	(49) 6103 4020	SPAIN	(34) 945 18 4100
GREECE	(30) 210 271 7265	SWEDEN	(46) 8 603 0700
HUNGARY	(36) 1 371 1343	SWITZERLAND	(41) 52 396 3131
IRELAND	(353) 1 403 9000	UNITED KINGDOM	(44) 1908 56 3888
ITALY	(39) 02 92711		

## SMC Corporation

URL <http://www.smcworld.com> (Global) <http://www.smceu.com> (Europe)  
 Specifications are subject to change without prior notice from the manufacturer.

© SMC Corporation All Rights Reserved.