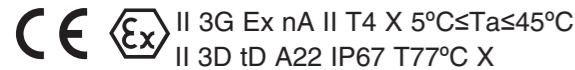




Installation & Maintenance Manual

Input Block

Type 56-EX250-IE2-X43



Read this manual before using this product.

For future reference, please keep this manual in a safe place.

This manual should be read in conjunction with the current catalogue.

Safety Instructions

● General recommendation

These safety instructions are intended to prevent a hazardous situation and/or equipment damage.

These instructions indicate the level of potential hazard by label of "Caution", "Warning" or "Danger".

- | | | |
|--|------------------|--------------------------------------------------------------------------------------|
| | Caution : | Operator error could result in injury or equipment damage. |
| | Warning : | Operator error could result in serious injury or loss of life. |
| | Danger : | In extreme conditions, there is a possible result of serious injury or loss of life. |

⚠ WARNING

- A system designer or a person who decides a system specification should judge the compatibility of the product. Since the products specified here are used in various operating conditions, their compatibility for the specific must be based on specifications or after analysis and/or tests to meet your specific requirements.
- Only trained personnel should operate pneumatically operated machinery and equipment. Compressed air can be dangerous if an operator is unfamiliar with it. Assembly, handling or repair of the product should be performed by trained and experienced operators.
- Do not service machinery/equipment or attempt to remove component until safety is confirmed.
 - 1) Inspection and maintenance of machinery/equipment should only be performed after confirmation of safe locked-out control positions.
 - 2) When equipment is to be removed, confirm the safety process as mentioned above. Switch off air and electrical supplies.
 - 3) Before machinery/equipment is re-started, ensure all safety measures to prevent sudden movement of actuators etc. (Supply air into the system gradually to create backpressure, i.e. incorporate a soft-start valve).
- Contact SMC if the product is to be used in any of the following conditions:
 - 1) Conditions and environments beyond the given specifications, or if product is used outdoors.
 - 2) Installations in conjunction with atomic energy, medical equipment, food and beverage, or safety equipment.
 - 3) Applications which have the possibility of having negative effects on people, property or animals. Special safety analysis is required.

Safety Instructions (continue)

ATEX Marking Description

	II 3G Ex nA II T4 X 5°C≤Ta≤45°C
	II 3D tD A22 IP67 T77°C X
Equipment Group II	tD - protected by enclosure
Category 3	A22 - for zone 22
Gas (G) and Dust (D) environment	IP67 - Protection structure
Ex - European standards apply	Ta - Ambient temperature
nA - Non-sparking apparatus	T77°C - Max. surface temperature
II - for all types of gas	X - special conditions apply, see instructions
T4 - temperature classification	

⚠ WARNING

Design and selection

- ① Operate the unit only within the specified supply voltage limits. If the supply voltage exceeds the rated voltage the unit and connected equipment might malfunction or could be damaged. It could also become a fire hazard.
- ② Do not operate beyond specification range. Fire, malfunction or unit and connected equipment damage can result.
- ③ Please construct a backup system, such as making the equipment or unit a multiple system, or designing a fail-safe in advance to prevent damage due to the breakdown and the malfunction of this product.
- ④ Mount the emergency stop outside of the enclosure so that it can stop the system operation immediately and intercept the power supply.
- ⑤ These instructions must be followed when using the Input Block in an interlocking circuit:
 - Provide valve interlocking by another system such as mechanical protection.
 - Check the Input Block regularly to ensure mechanical protection.
 There is a risk of getting injured if the interlock does not operate correctly.

Wiring

- ① Perform wiring correctly. There is a possibility that a unit and connected equipment will be destroyed if incorrectly wired.
- ② Do not perform wiring while power is on. If there is an explosive atmosphere present there is a risk of an explosion. There is also a possibility of failure of operation due to the damage of a unit and connected equipment.
- ③ Do not lay wires or cables with power cable or high-voltage cable in the same wiring route. There is a possibility of failure of operation due to electrical noise on the signal cable or a surge in the power cable. Separate the wiring of reduced wiring system from power cables.
- ④ Confirm proper insulation of wiring. With insulation failure (contact with other circuits, insulation failure between terminals, etc), there is a risk of explosion if an atmosphere is present. There is also a possibility of damage to a unit and connected equipment due to the applied excess pressure or current.

Operating environment

- ① Do not use in an environment where water, chemicals, or oil are present. Prevent dust and particles collecting on or around the unit. It will cause failure or malfunction.
- ② Do not use in an area where a magnetic field is generated. It will cause malfunction.

⚠ WARNING

- ③ Do not connect or disconnect cables when the unit is powered. Fire or an explosion may result if an explosive or combustible gas is present.
- ④ Do not use in an environment with temperature cycle. Heat cycles other than that of daily change of the temperature can effect inside of the units.
- ⑤ Do not expose the wiring system to heat radiation from a heat source located nearby. It will cause failure or malfunction.
- ⑥ Do not use in an environment where a surge source more than the CE marking standard allow is present. Internal circuit elements can deteriorate or break when equipment generating a large surge (electromagnetic lifter, high frequency induction furnace, motor, etc.) is located near the wiring system. Provide surge preventives, and avoid interface.
- ⑦ Use the wiring system equipment with surge absorber when a surge-generating load such as relay or solenoid valve is driven directly.
- ⑧ Do not expose the wiring system to vibration and impact. It will cause failure or malfunction.

Adjustment and Operation

- ① Do not open the case or adjust settings while energised. Fire or an explosion may result if an explosive or combustible gas is present.
- ② Do not allow short circuit of loads. Connected equipment may be damaged by excess current flow if a load is short circuit. Input unit fuse will break. Output and SI unit have protective function for excess current flow, but it is possible that they will be damaged, as the protective function does not cover all modes.
- ③ Do not carry out operation or setting of this equipment with wet hands. It may cause an electric shock to the operator.

Maintenance

- ① Do not disassemble, modify (including change of printed circuit board) or repair. An injury or failure can result.
- ② Perform the following maintenance periodically in order to prevent possible danger due to the unexpected. Confirm wiring and screws are not loose. Loose screws or wires may cause unintentional malfunction.
- ③ These instructions must be followed while in maintenance:
 - Turn off the power supply.
 - Stop the supplied fluid, exhaust the residual pressure and verify the release of fluid before performing maintenance.
 Otherwise it can cause injury.

⚠ CAUTION

Design and selection

- ① Ensure there is sufficient clearance for maintenance activities. When designing an application, be sure to allow sufficient clearance for maintenance and inspections.
- ② The direct current power supply to combine should be UL 1310 class 2 power supply when conformity to UL is necessary.
- ③ This product is a component which is to be built into a piece of completed equipment. The compatibility with the EMC directive after the product is installed, should be checked by you.

Mounting

- ① Do not drop, bump or apply excessive impacts while handling. Otherwise it can result in damage to the product causing failure or malfunction.
- ② Hold the body for handling. Otherwise it can result in damage to the product causing failure or malfunction.

⚠ CAUTION

- ③ Mount units using the proper tightening torque. If a unit is tightened beyond the range of tightening torque, the mounting screws, mounting brackets or unit may be damaged.
- ④ Do not mount the unit where it may be stepped on. If the unit is stepped on it will be damaged.

Wiring

- ① Avoid repeatedly bending or stretching the lead wires. Do not crush or strain the wire. It will cause the wire to break and make the unit malfunction.
- ② Ground the Input block to a secure, safe and noise-proof place. Grounding should be performed near the unit to shorten the grounding distance.

Maintenance

- ① Only clean the product with a damp cloth. Do not wipe the product with chemicals such as benzene or thinners. It will cause damage to the product.

Model Indication Method

56-EX250-IE2-X43

Atex Category 3

Intended conditions of use

The Input Block should be used within the range of specifications given below and in the product catalogue.

If labelled with X: special conditions apply:

1. Protect the Input Block from sources of heat which can generate surface temperatures higher than the temperature classification.
2. Protect the Input Block and cables against all impact or mechanical damage using a suitable ATEX compliant enclosure.
3. Protect the Input Block from direct sunlight or UV light using a suitable protective cover.
4. Do not disconnect the M12 connectors before first switching off the power supply.
5. Use only ATEX approved M12 connectors and use only shielded cable to provide grounding.
6. Use only a damp cloth to clean the Input Block body, to avoid an electrostatic charge.

Specification

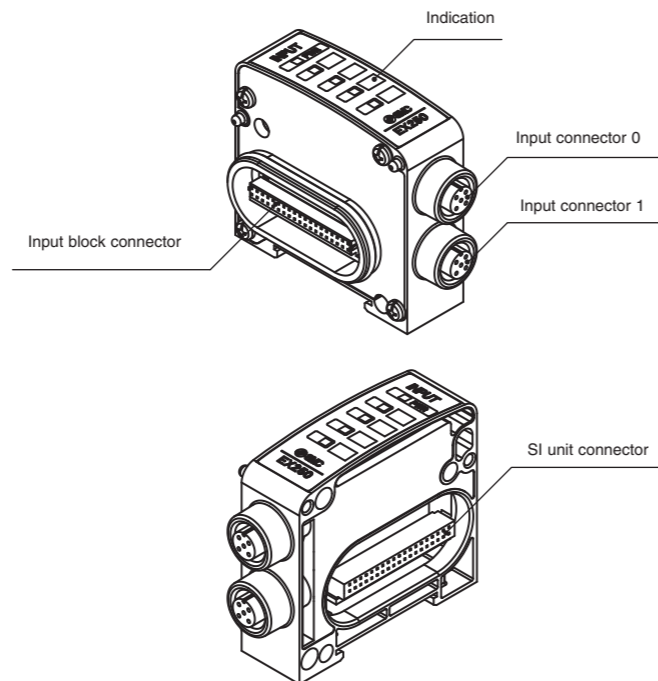
General Specification

Item	Specification
Operating ambient temperature	+5 to +45°C
Operating ambient humidity	35 to 85%RH (No dew condensation)
Storage ambient temperature	-20 to +60°C
Vibration proof	10 to 57Hz 0.35mm (constant amplitude) 57 to 150Hz 50m/s ² (constant acceleration)
Impact proof	150m/s ² (peak), 11ms × three times in each direction ±X, Y and Z
Noise immunity	Normal mode : 1500V Pulse duration 1μs Common mode : 1500V Pulse duration 1μs Radiation : 1000V Pulse duration 1μs
Operating environment	No corrosive gas and no dust
Pollution degree	Pollution degree 2

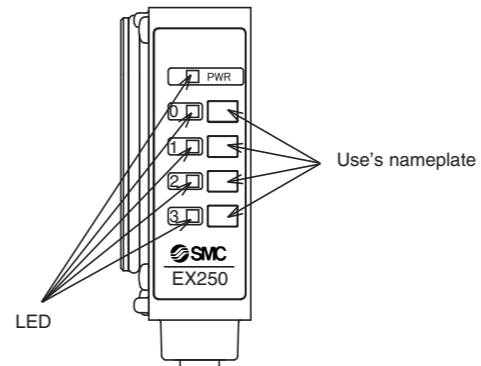
Names and Functions of individual parts

Body

- Input connector 0, 1
To connect the sensor.
- SI unit connector
To connect the SI unit.
- Input block connector
To connect the Input block.
- Indication
LED to indicate the condition of the unit.

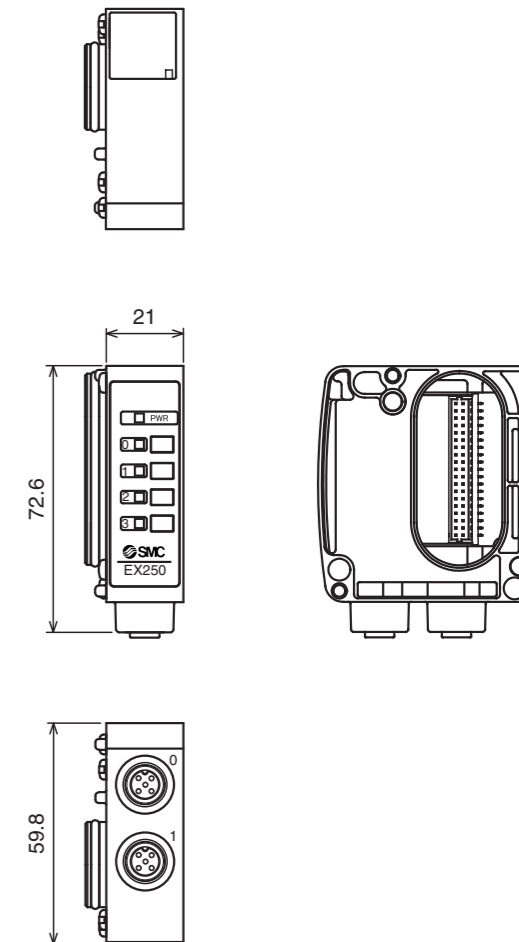


Display



Indication	Contents
PWR (Green)	Light ON when input power is on.
0 (Yellow)	Light ON when sensor 0 input signal is on.
1 (Yellow)	Light ON when sensor 1 input signal is on.
2 (Yellow)	Light ON when sensor 2 input signal is on.
3 (Yellow)	Light ON when sensor 3 input signal is on.

Outline with Dimensions (in mm)

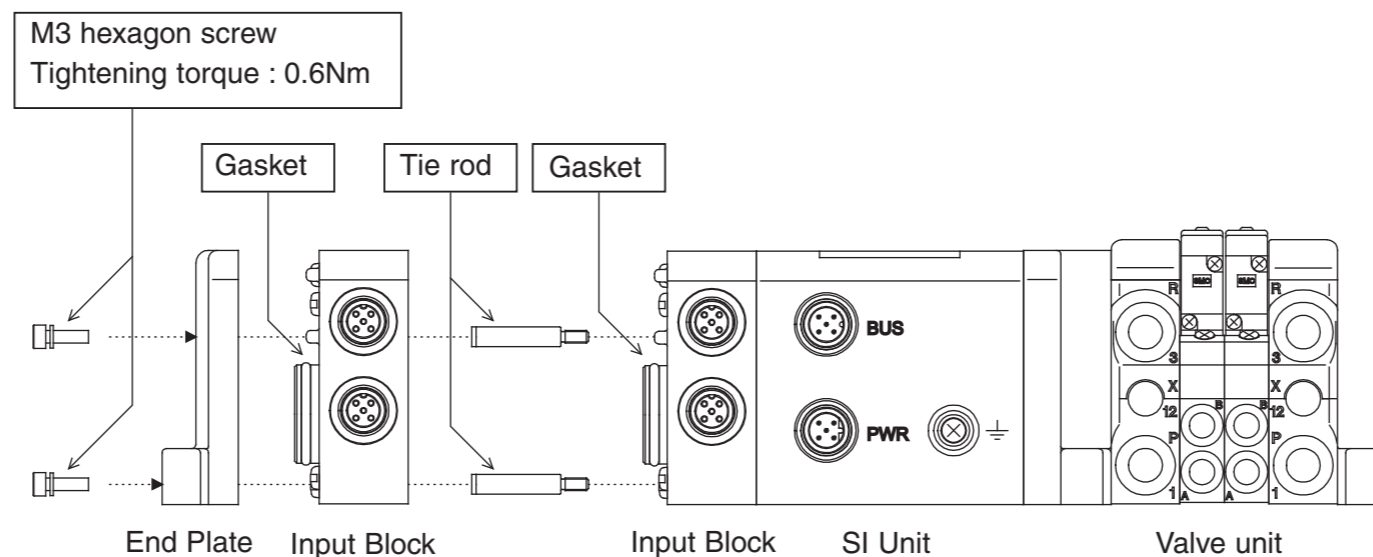


Input Specification

Item	Specification
Rated voltage Ue	24VDC *2
Input point	4 points
Input connector	M12 connector
Standard	IEC1131-2
Corresponding sensors	Current source type (PNP output) Current sink type (NPN output) *1
Logic "1" input voltage UH	+11 to +30V DC
Logic "0" input voltage UL	-3 to +5V DC
Logic "1" input current IH	8mA Typ.
Two wire sensor connection	Possible
Logic "0" allowable current IL	2.5mA Max.
Sensor supply current	120mA/Input Block (30mA/sensor) *3
Short-circuit protection	500mA Fuse for each Input Block

- *1) Change-over by switch (for changing the whole Input Block)
 *2) Approx. 1V of voltage drop for power supply voltage (power for SI unit and Input Block)
 *3) For extended Input Blocks and where 32 sensors are used, total of sensor supply current should not exceed 1A.

Installation



Contact

AUSTRIA	(43) 2262 62280	NETHERLANDS	(31) 20 531 8888
BELGIUM	(32) 3 355 1464	NORWAY	(47) 67 12 90 20
CZECH REP.	(420) 541 424 611	POLAND	(48) 22 211 9600
DENMARK	(45) 7025 2900	PORTUGAL	(351) 21 471 1880
FINLAND	(358) 207 513513	SLOVAKIA	(421) 2 444 56725
FRANCE	(33) 1 6476 1000	SLOVENIA	(386) 73 885 412
GERMANY	(49) 6103 4020	SPAIN	(34) 945 184 100
GREECE	(30) 210 271 7265	SWEDEN	(46) 8 603 1200
HUNGARY	(36) 23 511 390	SWITZERLAND	(41) 52 396 3131
IRELAND	(353) 1 403 9000	UNITED KINGDOM	(44) 1908 563888
ITALY	(39) 02 92711		

SMC Corporation

URL <http://www.smworld.com> (Global) <http://www.smceu.com> (Europe)

Specifications are subject to change without prior notice from the manufacturer.
 © SMC Corporation All Rights Reserved.