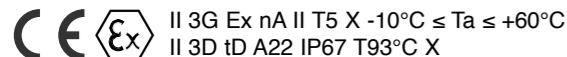




## Installation and Maintenance Manual

Auto Switch (Solid State)  
Series D-F6P#-588



II 3G Ex nA II T5 X -10°C ≤ Ta ≤ +60°C  
II 3D tD A22 IP67 T93°C X

Read this manual before using this product.

- For future reference, please keep this manual in a safe place.
- This manual should be read in conjunction with the current catalogue.

### ATEX Marking Description

II 3G Ex nA II T5 X -10°C ≤ Ta ≤ +60°C  
II 3D tD A22 IP67 T93°C X

Equipment Group II  
Category 3

Gas (G) and Dust (D) environment  
Ex – European standards apply  
nA – Non-sparking apparatus  
II – For all types of gas  
T5 – Temperature classification

tD – protected by enclosure  
A22 – for zone 22

IP67 – protection structure  
Ta – ambient temperature  
T93°C – max. surface temperature  
X – special conditions apply,  
see instructions

## 1 SAFETY

### General recommendation

These safety instructions are intended to prevent a hazardous situation and/or equipment damage. These instructions indicate the level of potential hazard by label of "Caution", "Warning" or "Danger". To ensure safety of personnel and equipment the safety instructions in this manual and the product catalogue must be observed, along with other relevant safety practices.



**CAUTION :** Operator error could result in injury or equipment damage.



**WARNING :** Operator error could result in serious injury or loss of life.



**DANGER :** In extreme conditions, there is a possible result of serious injury or loss of life.



### WARNING

- The compatibility of pneumatic equipment is the responsibility of the person who designs the pneumatic system or decides its specifications.
  - Since the products specified here are used in various operating conditions, their compatibility for the specific pneumatic system must be based on specifications or after analysis and/or tests to meet your specific requirements.
- Only trained personnel should operate pneumatically operated machinery and equipment.
  - Compressed air can be dangerous if an operator is unfamiliar with it. Assembly, handling or repair of pneumatic systems should be performed by trained and experienced operators.
- Do not service machinery/equipment or attempt to remove component until safety is confirmed.
  - Inspection and maintenance of machinery/equipment should only be performed after confirmation of safe locked-out control positions.
  - When equipment is to be removed, confirm the safety process as mentioned above. Switch off air and electrical supplies and exhaust all residual compressed air in the system.
  - Before machinery/equipment is re-started, ensure all safety measures to prevent sudden movement of actuators etc. (Supply air into the system gradually to create backpressure, i.e. incorporate a soft-start valve).
- Contact SMC if the product is to be used in any of the following conditions:
  - Conditions and environments beyond the given specifications, or if product is used outdoors.
  - Installations in conjunction with atomic energy, railway, air navigation, vehicles, medical equipment, food and beverage, recreation equipment, emergency stop circuits, press applications, or safety equipment.
  - Applications which have the possibility of having negative effects on people, property or animals. Special safety analysis is required.

## 2 INSTALLATION AND OPERATING ENVIRONMENT



### WARNING

#### Design and selection

- Confirm the specifications.  
Read the specifications carefully and use this product appropriately. The product may be damaged or malfunction if it is used outside the range of specifications for load current, voltage, temperature or impact.
- Take precautions when multiple actuators are used close together.  
When multiple auto switch actuators are used in close proximity, magnetic field interference may cause the switches to malfunction. Maintain a minimum actuator separation of 40mm.
- Pay attention to the length of time that a switch is ON at an intermediate stroke position.  
When an auto switch is placed at an intermediate position of the stroke and a load is driven at the time the piston passes, the auto switch will operate, but if the speed is too great the operating time will be shortened and the load may not operate properly. The maximum detectable piston speed is :

$$V[\text{mm/s}] = \frac{\text{Autoswitch operating range [mm]} \times 1000}{\text{Load operating time [ms]}}$$

- Keep wiring as short as possible.  
Although longer wiring does not affect the function, please keep it to 100m or shorter.
- Do not use a load that generates surge voltage.  
Although a zener diode for surge protection is connected at the output side of a solid state auto switch, damage may still occur if the surge is applied repeatedly. When a load such as a relay or solenoid which generates surge is directly driven, use a type of switch with a built-in surge absorbing element.
- Cautions for use in an interlock circuit  
When an auto switch is used for an interlock signal requiring high reliability, devise a double interlock system to avoid trouble by providing a mechanical protection function, or by also using another switch (sensor) together with the auto switch. Also perform periodic maintenance and confirm proper operation.
- Ensure sufficient clearance for maintenance activities.  
When designing an application, be sure to allow sufficient clearance for maintenance and inspections.

#### Mount / adjustment

- Do not drop or bump.  
Do not drop, bump or apply excessive impacts (1000m/s<sup>2</sup> or more for solid state switches) while handling. Although the body of the switch may not be damaged, the inside of the switch could be damaged and cause a malfunction.
- Do not carry a actuator by the auto switch lead wires.  
Never carry a actuator by its lead wires. This may not only cause broken lead wires, but it may cause internal elements of the switch to be damaged by the stress.
- Mount switches using the proper tightening torque.  
If a switch is tightened beyond the range of tightening torque, the mounting screws, mounting brackets or switch may be damaged. On the other hand, tightening below the range of tightening torque may allow the switch to slip out of position.



### WARNING

- Mount a switch at the center of the operating range.  
Adjust the mounting position of an auto switch so that the piston stops at the center of the operating range (the range in which a switch is ON). (The mounting position shown in the catalog indicates the optimum position at stroke end.) If mounted at the end of the operating range (around the borderline of ON and OFF), operation may be unstable.

#### Wiring

- Avoid repeatedly bending or stretching lead wires.  
Broken lead wires can result from wiring patterns which repeatedly apply bending stress or stretching force to the lead wires.
- Confirm proper insulation of wiring.  
Be certain that there is no faulty wiring insulation (contact with other circuits, ground fault, improper insulation between terminals, etc.) Damage may occur due to excess current flow into a switch.
- Do not wire with power lines or high voltage lines.  
Wire separately from power lines or high voltage lines, avoiding parallel wiring or wiring in the same conduit with these lines. Control circuits containing auto switches may malfunction due to noise from these other lines.
- Do not allow short circuit of loads.  
All models of PNP output type switches do not have built-in short circuit protection circuits. Note that if a load is short circuited, the switch will be instantly damaged because of excess current flow into the switch.
- Avoid incorrect wiring.  
If incorrect wiring, the switches will be damaged.
- When stripping the cable envelope, please pay attention to the stripping direction.  
Insulator might be split or hurt depending on the directions.



#### Operating environment

- Do not use in an area where a magnetic field is generated.  
Auto switches can malfunction or magnets inside actuators can become demagnetized.
- Do not use in an environment where the auto switch will be continually exposed to water.  
Although switches satisfy IEC standard IP67 construction (JIS C 0920: watertight construction), avoid using switches in applications where continually exposed to water splash or spray. Poor insulation or swelling of the potting resin inside switches may cause malfunction.
- Do not use in an environment with oil or chemicals.  
Consult SMC if auto switches will be used in an environment with coolant, cleaning solvent, various oils or chemicals. If auto switches are used under these conditions for even a short time, they may be adversely affected by improper insulation, malfunction due to swelling of the potting resin, or hardening of the lead wires.
- Do not use in an environment with temperature cycles.  
Consult SMC if switches are used where there are temperature cycles other than normal air temperature changes, as there may be adverse effects inside the switches.
- Do not use in an area where surges are generated.  
When there are units (solenoid type lifter, high frequency induction furnace, motor, etc.) which generate a large amount of surge in the area around actuators with solid state auto switches, this may cause deterioration or damage to the switches. Avoid sources of surge generation and crossed lines.
- Avoid accumulation of iron waste or close contact with magnetic substances.  
When a large amount of iron waste such as machining chips or spatter is accumulated, or a magnetic substance (something attracted by a magnet) is brought into close proximity with an auto switch actuator, it may cause auto switches to malfunction due to a loss of the magnetic force inside the actuator.

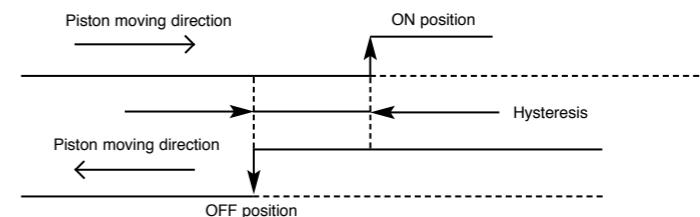
## 2 INSTALLATION AND OPERATING ENVIRONMENT (continued)

### Maintenance

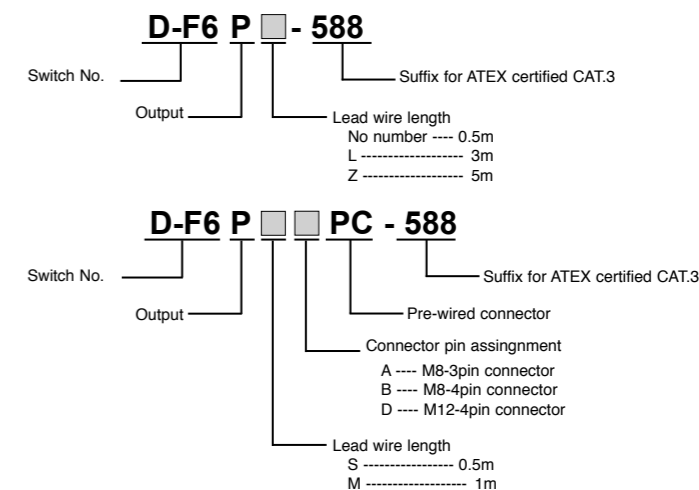
- Perform the following maintenance periodically in order to prevent possible danger due to unexpected auto switch malfunction.
  - Securely tighten switch mounting screws.  
If screws become loose or the mounting position is dislocated, retighten them after readjusting the mounting position.
  - Confirm that there is no damage to lead wires.  
To prevent faulty insulation, replace switches or repair lead wires, etc., if damage is discovered.

### Others

- For durability against water, elasticity, application at welding site, please consult us.
- If ON and OFF position (hysteresis) cause problems, please consult us.



## 3 MODEL INDICATION METHOD



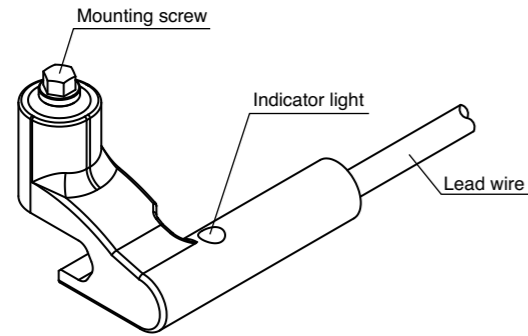
This product is a Solid State Auto Switch of direct mounting specification. Switch should only be used in areas in which potentially explosive atmospheres are unlikely to be present or only present for short periods of time.

## 4 INTENDED CONDITIONS OF USE

The auto switch should be used within the range of specifications below and the auto switch catalogue. If labelled with X : special conditions applied: Protect the autoswitch and cable against all impact or mechanical damage. Protect the autoswitch from sources of heat which can generate surface temperatures higher than the temperature classification. Protect the autoswitch from direct sunlight or UV light using a suitable protective cover.

Switch model number	D-F6P
Wiring	3 wire
Output	PNP
Application	IC circuit/Relay/PLC
Power voltage	5/12/24VDC (4.5 to 28VDC)
Current consumption	10mA or less
Load voltage	-
Load current	40mA or less
Internal voltage drop	0.8V or less
Current leakage	100μ A or less at 24VDC
Operating time	1ms or less
Indication light	ON : Red light emitting diode
Electrical entry system	Grommet
Lead wire	Oilproof heavy-duty vinyl cord 2.7x3.2 oval, 0.15mm <sup>2</sup> , 3 wire
Impact resistance	1000m/s <sup>2</sup>
Insulation resistance	50MΩ or more at 500VDC mega
Withstand voltage	1000VAC for 1 minute (lead wire, between cases)
Ambient temperature	-10 to 60°C
Protection structure	IEC60529 IP67, JISC0920

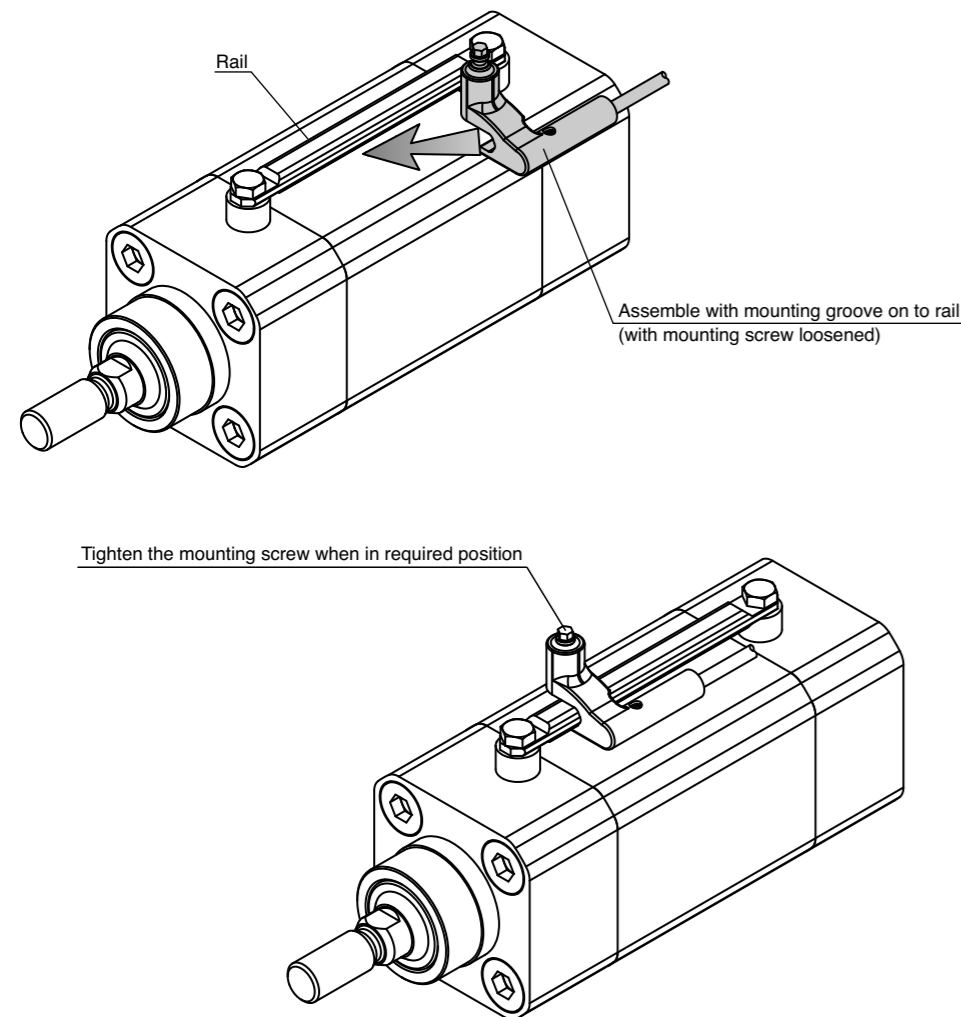
**5 NAMES AND FUNCTIONS OF INDIVIDUAL PARTS**



**6 HOW TO MOUNT / MOUNTING BRACKET**

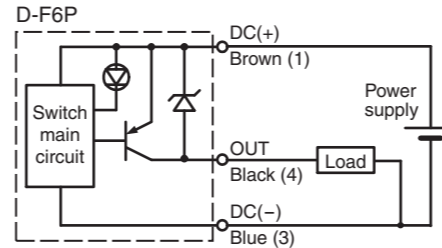
When mounting an auto switch on an actuator it should be done with the actuator clamp.  
 "How to mount" depends on actuator type and tube I.D. Please refer the actuator catalogue.  
 When an auto switch is mounted for the first time, please ensure the actuator is of the magnet built in type, then prepare the corresponding brackets for the actuator.

- Proper tightening torque  
 Use special tool or torque wrench for tightening the set screw.  
 M3 mount screw tightening torque shall be 0.8 to 1.4N·m.

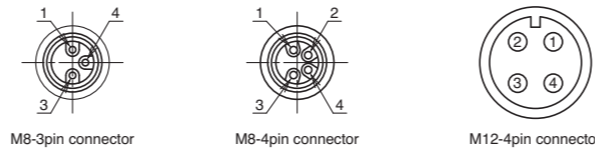


- Setting the detecting position  
 Set the actuator at the stroke end. Set the switch in the area to where the auto switch red lamp lights. (Detecting actuator end)  
 Based on A and B dimensions in the actuator catalogue, set the switch.

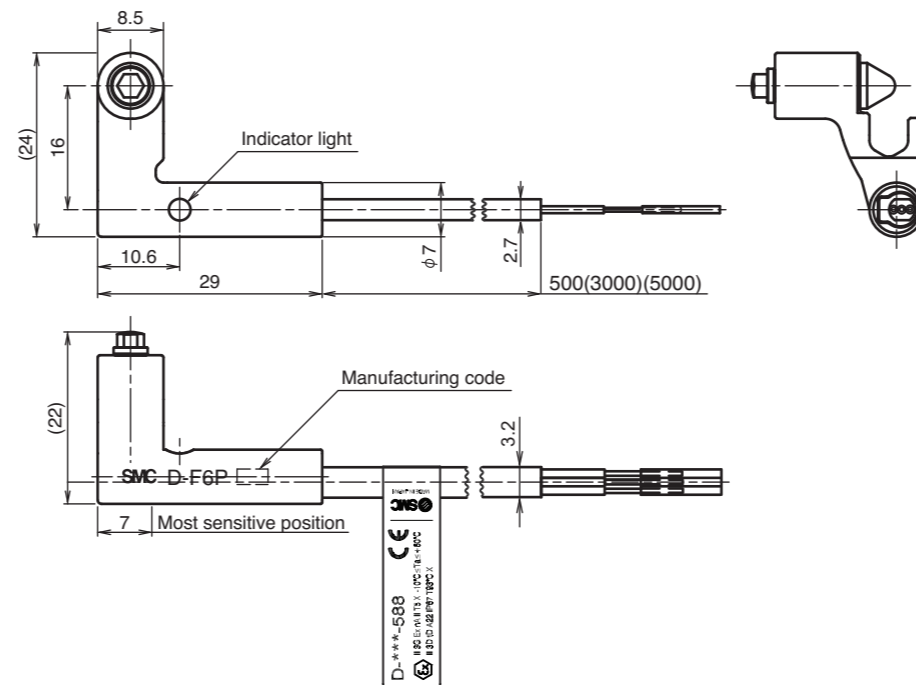
**7 BASIC WIRING**



**Connector Pin Assignment**



**8 EXTERIOR DIMENSION**

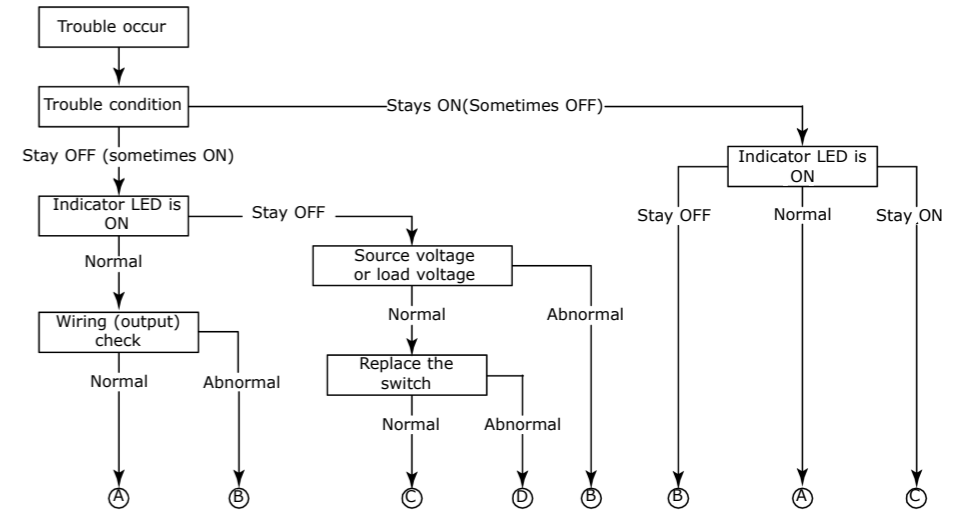


**Manufacturing code**

Year		Month	
Mark	Year	Mark	Month
L	2007	o	January
M	2008	P	February
N	2009	Q	March
o	2010	R	April
P	2011	S	May
Q	2012	T	June
⋮	⋮	U	July
		V	August
		W	September
		X	October
		y	November
		Z	December

**9 CHECK FLOW**

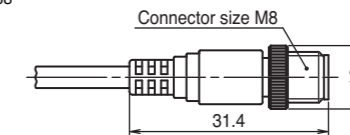
When detection failure occurs (stays ON/OFF), please check based on the following flow chart.



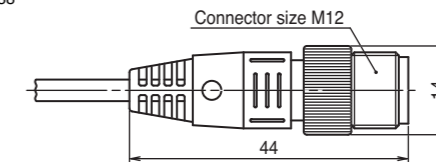
- A --- Switch output parts failure (replace)
- B --- Correct wiring
- C --- Switch failure
- D --- Replace actuator. Detectable magnet field in adequate (No magnet)

**Exterior dimension of Pre-wired connector**

D-F6P □ PC-588



D-F6P □ DPC-588



<NOTES>

**10 Contact**

AUSTRIA	(43) 2262 62280	NETHERLANDS	(31) 20 531 8888
BELGIUM	(32) 3 355 1464	NORWAY	(47) 67 12 90 20
CZECH REP.	(420) 541 424 611	POLAND	(48) 22 211 9600
DENMARK	(45) 7025 2900	PORTUGAL	(351) 21 471 1880
FINLAND	(358) 207 513513	SLOVAKIA	(421) 2 444 56725
FRANCE	(33) 1 6476 1000	SLOVENIA	(386) 73 885 412
GERMANY	(49) 6103 4020	SPAIN	(34) 945 184 100
GREECE	(30) 210 271 7265	SWEDEN	(46) 8 603 1200
HUNGARY	(36) 23 511 390	SWITZERLAND	(41) 52 396 3131
IRELAND	(353) 1 403 9000	UNITED KINGDOM	(44) 1908 563888
ITALY	(39) 02 92711		

**SMC Corporation**

URL <http://www.smcworld.com> (Global) <http://www.smceu.com> (Europe)

Specifications are subject to change without prior notice from the manufacturer.  
 © SMC Corporation All Rights Reserved.