



Installation & Maintenance Manual

Fieldbus device (SI unit)

EX260 Series for EtherNet/IP™



Safety Instructions

This manual contains essential information for the protection of users and others from possible injury and/or equipment damage.

- Read this manual before using the product, to ensure correct handling, and read the manuals of related apparatus before use.
- Keep this manual in a safe place for future reference.
- These instructions indicate the level of potential hazard by label of "Caution", "Warning" or "Danger", followed by important safety information which must be carefully followed.
- To ensure safety of personnel and equipment the safety instructions in this manual and the product catalogue must be observed, along with other relevant safety practices.

Caution	CAUTION indicates a hazard with a low level of risk which, if not avoided, could result in minor or moderate injury.
Warning	WARNING indicates a hazard with a medium level of risk which, if not avoided, could result in death or serious injury.
Danger	DANGER indicates a hazard with a high level of risk which, if not avoided, will result in death or serious injury.

This product is class A equipment that is intended for use in an industrial environment. There may be potential difficulties in ensuring electromagnetic compatibility in other environments due to conducted as well as radiated disturbances.

Warning

- Do not disassemble, modify (including changing the printed circuit board) or repair. An injury or failure can result.
- Do not operate the product outside of the specifications. Do not use for flammable or harmful fluids. Fire, malfunction, or damage to the product can result. Verify the specifications before use.
- Do not operate in an atmosphere containing flammable or explosive gases. Fire or an explosion can result. This product is not designed to be explosion proof.
- If using the product in an interlocking circuit:
 - Provide a double interlocking system, for example a mechanical system.
 - Check the product regularly for proper operation. Otherwise malfunction can result, causing an accident.
- The following instructions must be followed during maintenance:
 - Turn off the power supply.
 - Stop the air supply, exhaust the residual pressure and verify that the air is released before performing maintenance. Otherwise an injury can result.

Caution

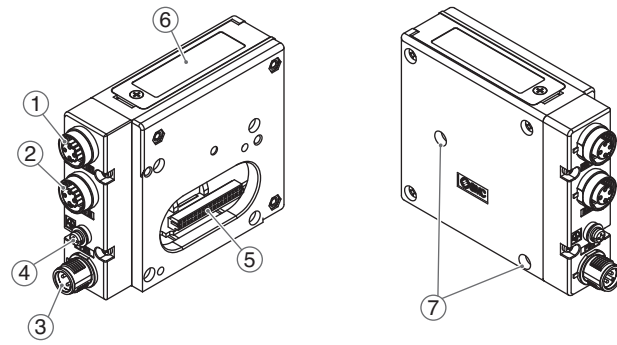
- After maintenance is complete, perform appropriate functional inspections. Stop operation if the equipment does not function properly. Safety cannot be assured in the case of unexpected malfunction.
- Provide grounding to assure the safety and noise resistance of the Serial system. Individual grounding should be provided close to the product with a short cable.

NOTE

- When conformity to UL is required, the SI unit should be used with a UL1310 Class 2 power supply.

Summary of Product elements

<EX260-SEN1/-SEN2/-SEN3/-SEN4>



No.	Element	Description
1	Fieldbus interface connector (BUS OUT)	EtherNet/IP™ connection PORT 2 (M12 4-pin socket, D-coded)
2	Fieldbus interface connector (BUS IN)	EtherNet/IP™ connection PORT 1 (M12 4-pin socket, D-coded)
3	Power supply connector	Power supply with load voltage for valves and operating voltage for SI unit (M12 4-pin plug, A-coded)
4	Ground terminal	Functional earth (M3 screw)
5	Output connector	Output signal interface for valve manifold
6	LED display	LED display to indicate the status of the SI unit
7	Mounting hole	Mounting hole for connection to the valve manifold

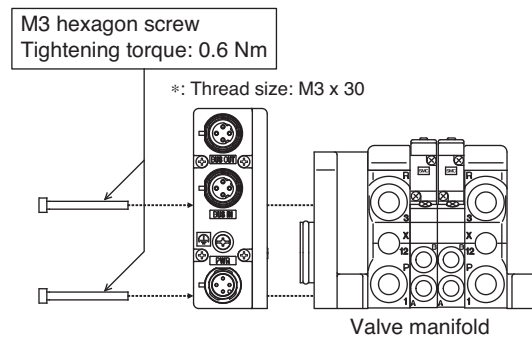
Accessories	
Hexagon socket head cap screw	2 pcs. M3 x 30 screw for connection to the valve manifold
Seal cap	1 pc. seal cap for unused fieldbus interface connector (BUS OUT)

Installation

General instructions on installation and maintenance

Connect valve manifold to the SI unit. Connectable valve manifolds are the same as for EX250 series SI unit. Refer to the EX250 series valve manifold section in the valve catalogue for valve manifold dimensions.

Assembly and disassembly of the SI unit



- Replacement of the SI unit
- Remove the M3 hexagon screws from the SI unit and release the SI unit from the valve manifold.
 - Replace the SI unit.
 - Tighten the screws with the specified tightening torque. (0.6 Nm)

- Precautions for maintenance
- Be sure to switch off the power.
 - Check there is no foreign matter inside the SI unit.
 - Check there is no damage and no foreign matter on the gasket.
 - Be sure to tighten the screws with the specified torque.
- If the SI unit is not assembled properly, inside PCBs may be damaged or liquid and/or dust may enter into the unit.

Installation (Continued)

Connecting cables

Select the appropriate cables to mate with the connectors mounted on the SI unit.

Fieldbus interface connector layout

BUS OUT: M12 4-pin socket, D-coded

No.	Designation	Description
1	TD+	Transmit Data +
2	RD+	Receive Data +
3	TD-	Transmit Data -
4	RD-	Receive Data -

BUS IN: M12 4-pin socket, D-coded

No.	Designation	Description
1	TD+	Transmit Data +
2	RD+	Receive Data +
3	TD-	Transmit Data -
4	RD-	Receive Data -

Power supply connector layout

PWR: M12 4-pin plug, A-coded

No.	Designation	Description
1	SI24 V	+24 V for SI unit operation
2	SV24 V	+24 V for solenoid valve
3	SI0 V	0 V for SI unit operation
4	SV0 V	0 V for solenoid valve

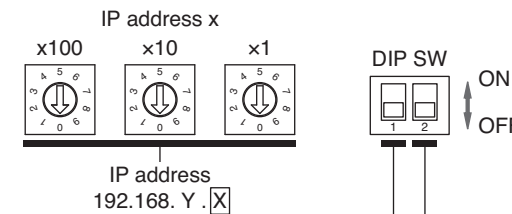
Ground terminal

Connect the ground terminal to ground. Resistance to ground should be 100 ohms or less.

Setting

Switch setting

The switches should only be set with the power supply turned off. Open the cover and set the rotary switches and DIP switch with a small flat blade screwdriver.



Setting			X
x100	x10	x1	
0	0	0	Remote control
0	0	1	1
0	0	2	2
:	:	:	:
2	5	4	254
2	5	5	DHCP mode

•: The values of 256 or more are not used.

Y	No.1	Description
1	ON	The IP address is set to "192.168.1.X".
0	OFF	The IP address is set to "192.168.0.X".

HOLD/CLEAR	No.2	Description
HOLD	ON	Hold the last state before communication error.
CLEAR	OFF	Clear all outputs.

Setting (Continued)

Configuration

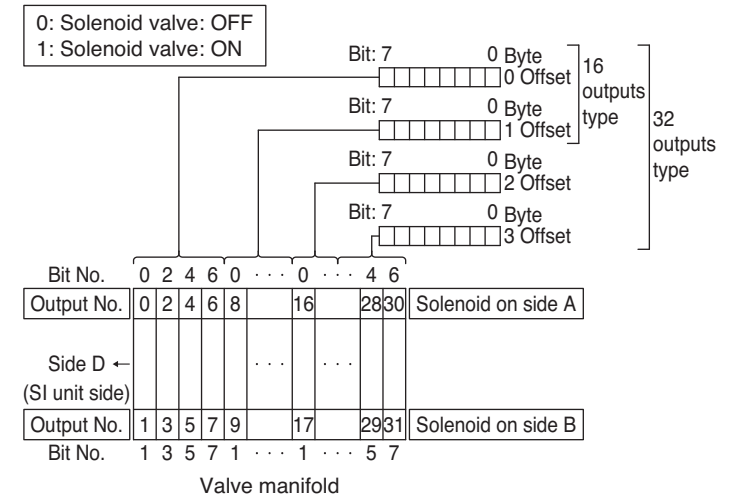
In order to configure the SI unit for the EtherNet/IP™ network, the appropriate device master file (EDS file) for the SI unit will be required.

Technical documentation giving detailed configuration information and the EDS file can be found on the SMC website (URL <http://www.smcworld.com>).

EDS file	Product number	EDS file
1	EX260-SEN1	ex260_sen1_24_v**.eds
2	EX260-SEN2	ex260_sen2_24_v**.eds
3	EX260-SEN3	ex260_sen3_22_v**.eds
4	EX260-SEN4	ex260_sen4_22_v**.eds

Output number assignment

Output numbering starts at zero and refers to the solenoid position on the manifold.



LED indication



LED	LED Status	Description
NS	<input type="checkbox"/> OFF	The SI unit operating voltage is not supplied or the IP address is not set.
	<input checked="" type="checkbox"/> Green ON	EtherNet/IP™ communications established.
	<input checked="" type="checkbox"/> Green flashing	EtherNet/IP™ communications not established.
	<input checked="" type="checkbox"/> Red flashing	EtherNet/IP™ communications time out.
MS	<input checked="" type="checkbox"/> Red ON	IP address duplicated.
	<input type="checkbox"/> OFF	The SI unit operating voltage is not supplied.
	<input checked="" type="checkbox"/> Green ON	Operating normally.
	<input checked="" type="checkbox"/> Green flashing	Setting error.
L/A1	<input checked="" type="checkbox"/> Red flashing	Recoverable error.
	<input checked="" type="checkbox"/> Red ON	Unrecoverable error.
	<input type="checkbox"/> OFF	BUS IN side: No Link, No Activity
	<input checked="" type="checkbox"/> Green ON	BUS IN side: Link, No Activity
L/A2	<input checked="" type="checkbox"/> Green flashing	BUS IN side: Link, Activity
	<input type="checkbox"/> OFF	BUS OUT side: No Link, No Activity
	<input checked="" type="checkbox"/> Green ON	BUS OUT side: Link, No Activity
	<input checked="" type="checkbox"/> Green flashing	BUS OUT side: Link, Activity
PWR(V)	<input checked="" type="checkbox"/> Green ON	Power supply for Solenoid valves is ON
	<input type="checkbox"/> OFF	Load voltage for the valve is not supplied or is outside the tolerance range. (19 V or less)

Troubleshooting

Refer to the operation manual on the SMC website
(URL <http://www.smcworld.com>).

Specifications

Connected load: 24 VDC Solenoid valve with surge voltage suppressor
of 1.5 W or less (manufactured by SMC)

Current consumption of power supply for SI unit operation: 0.1 A max.

Ambient temperature for operation: -10 to 50 °C

Ambient temperature for storage: -20 to 60 °C

Pollution degree 3: (UL508)

Refer to the operation manual on the SMC website
(URL <http://www.smcworld.com>).

Outline Dimensions

Refer to the operation manual on the SMC website
(URL <http://www.smcworld.com>).

Accessories

Refer to the operation manual on the SMC website
(URL <http://www.smcworld.com>).

Contacts

AUSTRIA	(43) 2262 62280-0	LATVIA	(371) 781 77 00
BELGIUM	(32) 3 355 1464	LITHUANIA	(370) 5 264 8126
BULGARIA	(359) 2 974 4492	NETHERLANDS	(31) 20 531 8888
CZECH REP.	(420) 541 424 611	NORWAY	(47) 67 12 90 20
DENMARK	(45) 7025 2900	POLAND	(48) 22 211 9600
ESTONIA	(372) 651 0370	PORTUGAL	(351) 21 471 1880
FINLAND	(358) 207 513513	ROMANIA	(40) 21 320 5111
FRANCE	(33) 1 6476 1000	SLOVAKIA	(421) 2 444 56725
GERMANY	(49) 6103 4020	SLOVENIA	(386) 73 885 412
GREECE	(30) 210 271 7265	SPAIN	(34) 945 184 100
HUNGARY	(36) 23 511 390	SWEDEN	(46) 8 603 1200
IRELAND	(353) 1 403 9000	SWITZERLAND	(41) 52 396 3131
ITALY	(39) 02 92711	UNITED KINGDOM	(44) 1908 563888

SMC Corporation

URL <http://www.smcworld.com> (Global) <http://www.smceu.com> (Europe)

Specifications are subject to change without prior notice from the manufacturer.
EtherNet/IP™ is a trademark of ODVA.

© 2012 SMC Corporation All Rights Reserved