



Installation and Maintenance Manual

Signal Cut Block

Type EX9-SC*-*

1 Safety Instructions

- This manual contains essential information for the protection of users and others from possible injury and/or equipment damage.
- Read this manual before using the product, to ensure correct handling, and read the manuals of related apparatus before use.
- Keep this manual in a safe place for future reference.
- These instructions indicate the level of potential hazard by label of "DANGER", "WARNING" or "CAUTION", followed by important safety information which must be carefully followed.
- To ensure safety of personnel and equipment the safety instructions in this manual and the product catalogue must be observed, along with other relevant safety practices.

⚠ DANGER	In extreme conditions, there is a possibility of serious injury or loss of life.
⚠ WARNING	If instructions are not followed there is a possibility of serious injury or loss of life.
⚠ CAUTION	If instructions are not followed there is a possibility of injury or equipment damage.

⚠ WARNING

- Do not disassemble, modify (including change of printed circuit board) or repair the product.**
An injury or product failure may result.
- Do not operate the product beyond the specification range.**
Fire, malfunction or equipment damage may result. Use the product only after confirming the specifications.
- Do not use the product in the presence of flammable, explosive or corrosive gas.**
Fire, explosion or corrosion may result. This product does not have an explosion proof construction.
- When using the product as part of an interlocking system:**
Fire, explosion or corrosion may result. This product does not have an explosion proof construction.
 - Provide a double interlocking system, for example a mechanical system.
 - Check the product regularly to ensure proper operation.
- Before performing maintenance, be sure of the following:**
 - Turn off the power supply.
 - Stop the air supply, exhaust the residual pressure and verify the release of air from the system.

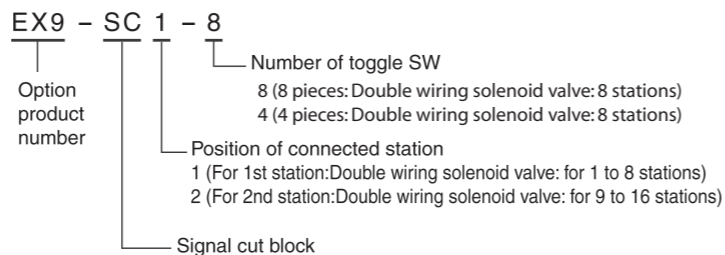
⚠ CAUTION

- Always perform a system check after maintenance.**
Do not use the product if any error occurs.
Safety cannot be assured if caused by un-intentional malfunction.
- Follow the instructions given below when handling the product. Failing to do so may result in product damage.**
 - Maintenance space should always be provided around the product.
 - Do not remove labels from the product.
 - Do not drop, hit or apply excessive shock to the product.
 - Follow all specified tightening torques.
 - Do not bend, apply tensile force, or apply force by placing heavy loads, on the cables.

1 Safety Instructions (continued)

- Select the required protection (IP) rating according to the environment of operation.
- Prevent any foreign matter from entering this product.
- Do not expose the product to vibration or impact.
- Use the product within the specified ambient temperature range.
- Do not expose the product to any heat radiation.
- Do not clean the product with chemicals such as benzene or thinners.

2 How to Order



*There is no combination that position of connected station 1 and number of toggle SW 4.

3 Specifications

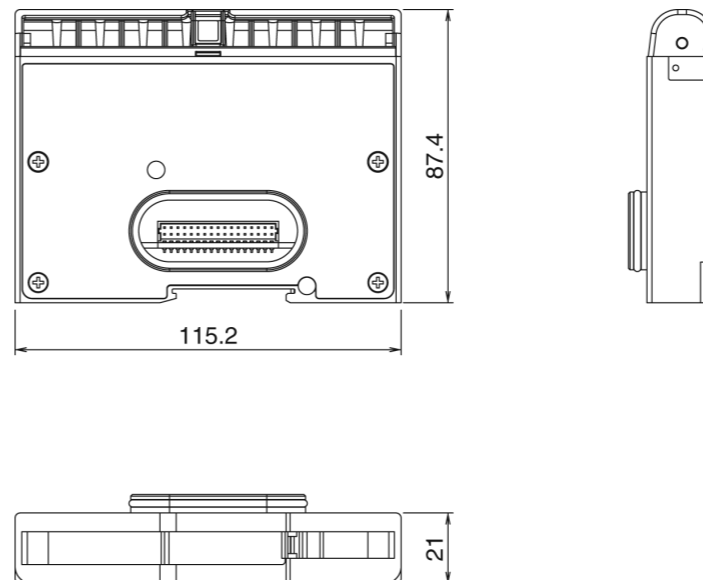
General specification

Item	Specification
Operating ambient temperature	-10 to +55°C (By solenoid valve specification)
Operating ambient humidity	35 to 85%RH (No dew formation)
Storage ambient temperature	-20 to +60°C
Vibration resistance	10 to 57Hz 0.35mm (constant vibration) 57 to 150Hz 50m/s ² (constant acceleration)
Impact resistance	Peak value 100m/s ² 11ms is applied to ± X, Y, Z directions for three times each
Proof voltage	1500VAC for 1min
Insulation resistance	500VDC 10M ohm or less
Operating environment	No corrosive gas
Enclosure	IP67
Mass (Weight)	250g or less

Electric specification

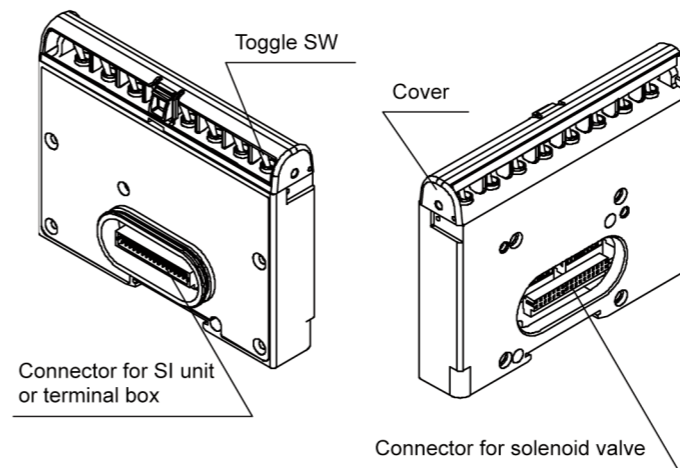
Item	Specification	
Power current range	Insulation voltage	12, 24VDC±10% (Comply with solenoid specification)
	Insulation current	2A or less in total (Comply with solenoid specification)
Solenoid valve connection specification	Insulation method	With mechanical toggle SW
	Connection load	Solenoid valve with protection circuit for 12/24VDC and 2.1W or less surge voltage. (Made by SMC)

4 Outline Dimensions (mm)

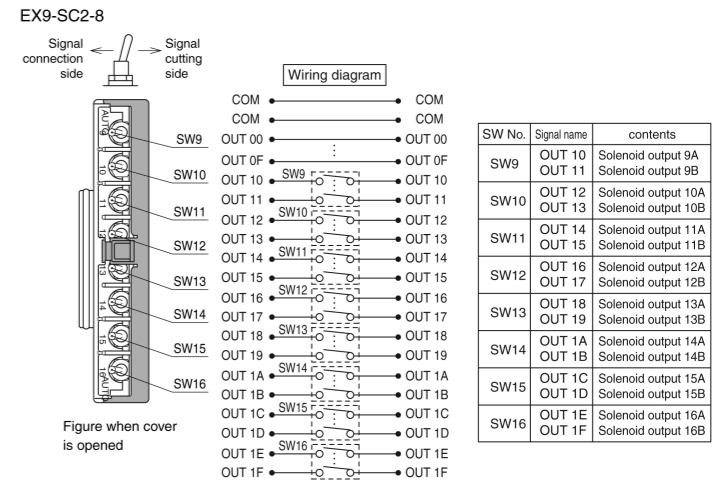
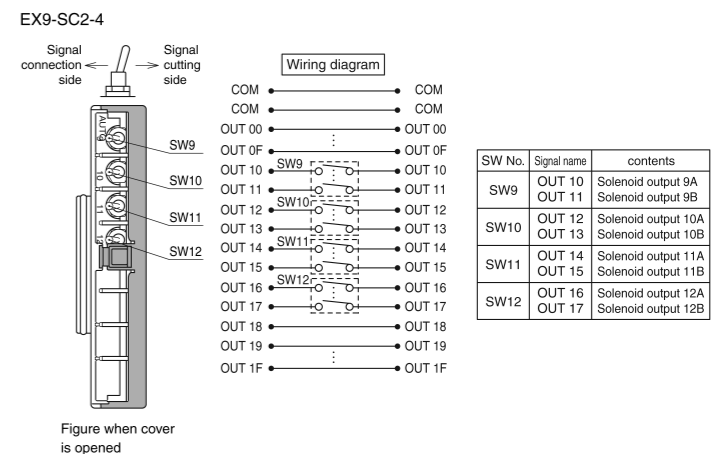
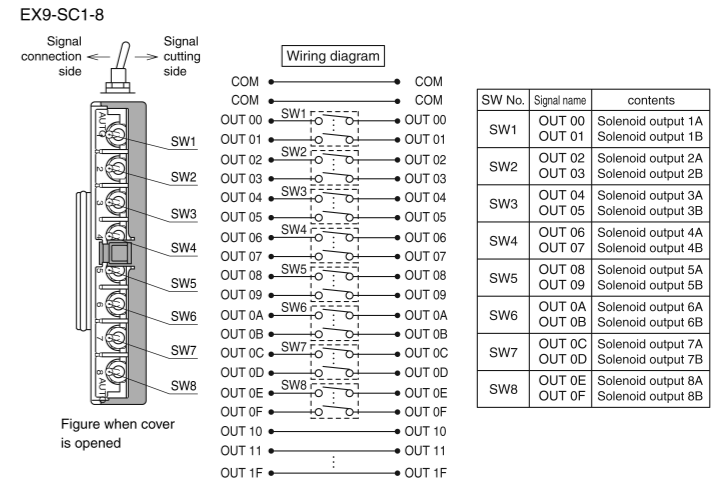


5 Names / Functions of Individual Parts

- Connector for SI unit or terminal box.
To be connected to the SI unit or terminal box.
- Connector for solenoid valve
To be connected to the solenoid valve.
- Toggle SW
To cut signal from SI unit or terminal box.
- Cover
To protect the toggle SW and prevent operation failure.

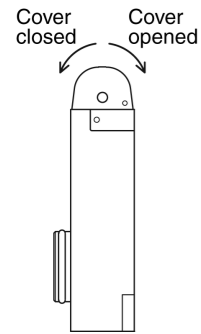


6 Wiring



7 How to Use

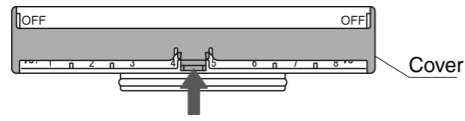
Cover operation



A Toggle switch protection cover is provided with the signal cut block to prevent operation failure.

It has a lock feature to prevent opening using a locking finger, therefore please comply with the following instructions for opening and closing the cover.

Further, please keep cover closed fully when in normal operation.



Opening: Open by rotating the cover while pushing the finger arrowed.

Note) Pay attention not to catch your finger in the cover.

Closing: Close until the cover clicks while lightly pushing the finger (arrowed).

⚠ WARNING

Be careful not to contact a switch or for the cover to pinch your finger at the time of opening and closing the cover.

An injury or an accident by a malfunction can be result.

8 Contact

AUSTRIA	(43) 2262 62280	NETHERLANDS	(31) 20 531 8888
BELGIUM	(32) 3 355 1464	NORWAY	(47) 67 12 90 20
CZECH REP.	(420) 541 424 611	POLAND	(48) 22 211 9600
DENMARK	(45) 7025 2900	PORTUGAL	(351) 21 471 1880
FINLAND	(358) 207 513513	SLOVAKIA	(421) 2 444 56725
FRANCE	(33) 1 6476 1000	SLOVENIA	(386) 73 885 412
GERMANY	(49) 6103 4020	SPAIN	(34) 945 184 100
GREECE	(30) 210 271 7265	SWEDEN	(46) 8 603 1200
HUNGARY	(36) 23 511 390	SWITZERLAND	(41) 52 396 3131
IRELAND	(353) 1 403 9000	UNITED KINGDOM	(44) 1908 563888
ITALY	(39) 02 92711		

SMC Corporation

URL <http://www.smworld.com> (Global) <http://www.smceu.com> (Europe)

Specifications are subject to change without prior notice from the manufacturer.
© SMC Corporation All Rights Reserved.