



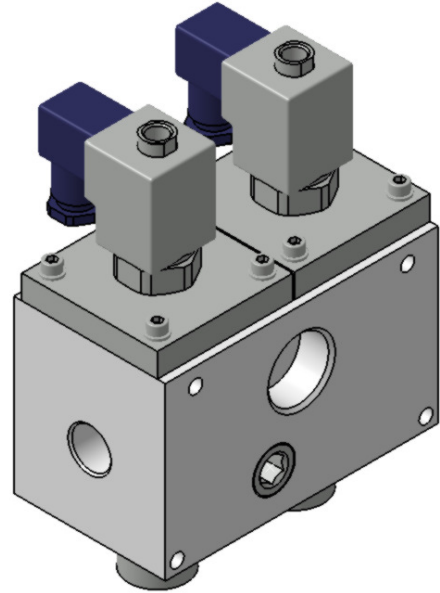
Installation and Maintenance Manual

Monitored valve for use in safety related systems

Product Name: VV3CH5-5D-06G-X65A



Safety component as defined by the Machinery Directive 2006/42/EC article 2c



The intended use of this valve is to vent a protected system to atmosphere when it is de-energised. When properly integrated into a suitable safety system the valve is compatible for use in Category 4 PL e systems as defined by EN ISO 13849-1:2008.

1 Safety Instructions

This manual contains essential information for the protection of users and others from possible injury and/or equipment damage.

- Read this manual before using the product, to ensure correct handling, and read the manuals of related apparatus before use.
- Keep this manual in a safe place for future reference.
- These instructions indicate the level of potential hazard by label of "Caution", "Warning" or "Danger", followed by important safety information which must be carefully followed.

To ensure safety of personnel and equipment the safety instructions in this manual and the product catalogue must be observed, along with other relevant safety practices.

	Caution	Indicates a hazard with a low level of risk, which if not avoided, could result in minor or moderate injury.
	Warning	Indicates a hazard with a medium level of risk, which if not avoided, could result in death or serious injury.
	Danger	Indicates a hazard with a high level of risk, which if not avoided, will result in death or serious injury.

1 Safety Instructions (Continued)

Warning

- The compatibility of pneumatic equipment is the responsibility of the person who designs the pneumatic system or decides its specifications. Since the products specified here can be used in various operating conditions, their compatibility with the specific pneumatic system must be based on specifications or after analysis and/or tests to meet specific requirements.
- **Only trained personnel should operate pneumatically operated machinery and equipment.**
Compressed air can be dangerous if an operator is unfamiliar with it. Assembly, handling or repair of pneumatic systems should be performed by trained and experienced personnel.
- **Do not service machinery/equipment or attempt to remove components until safety is confirmed.**
 - 1) Inspection and maintenance of machinery/equipment should only be performed after confirmation of safe locked-out control positions.
 - 2) When equipment is to be removed, confirm the safety process as mentioned above. Switch off air and electrical supplies and exhaust all residual compressed air in the system.
 - 3) Before machinery/equipment is re-started, ensure all safety measures to prevent sudden movement of cylinders etc. (Supply air into the system gradually to create back pressure, i.e. incorporate a soft-start valve).
- **Do not use this product outside of the specifications. Contact SMC if it is to be used in any of the following conditions:**
 - 1) Conditions and environments beyond the given specifications.
 - 2) Installations in conjunction with atomic energy, railway, air navigation, vehicles, medical equipment, food and beverage, recreation equipment, press applications, or safety equipment.
 - 3) An application which has the possibility of having negative effects on people, property, or animals, requiring special safety analysis.

- This product is intended for use in a safety related part of a control system and is capable of providing the stated safety function to the category stated in the Declaration of Conformity, when correctly used. Any system using this product must be designed and validated by a properly qualified and responsible person, to meet the requirements of the relevant standards, laws and regulations applicable to the equipment in which it is installed.
- **Extended periods of continuous energisation**
For applications such as mounting a valve on a control panel, incorporate measure to limit the heat radiation so that it is within the operating temperature range.
- **Do not disassemble the product or make any modifications, including additional machining. It may cause human injury and/or an accident.**

Caution

- Ensure that the air supply system is filtered to 5µm or better.

2 Specifications

2.1 Manifold specification

Model	VV3CH5-5D-06G-X65A
Structure	Internal pilot operated poppet valve
Type of actuation	Normally closed
Return method	Spring return with balanced poppet
Fluid	Air
Proof pressure	6 MPa
Operation pressure	2 to 4 MPa
Ambient & operating Fluid temp.	5 to 80 °C ⁽¹⁾
Lubrication	Not required ⁽²⁾
Operating frequency Max	0.5 Hz
Operating frequency Min	1 per week ⁽³⁾
Duty cycle	Continuous (subject to min operating frequency)
Response time – on/off	See 2.9.3.1 ⁽⁷⁾
Vibration / Impact resistance	300/50 m/s ² ^(4,5)
Air quality	5 µm filtration or better
Environment	Indoor use only
Enclosure (Pilot valve)	IP 40
B10 _a for calculation of MTTF _d	14,900,000 cycles ⁽⁶⁾
Mission time	14,900,000 cycles ⁽⁶⁾
Orifice diameter	Ø 23
Effective area when both valves are working (1-2)	155mm ²
Effective area when exhausting from V2 valve (normal) (2-3)	210mm ²
Effective area when exhausting from V1 valve (V2 fails) (2-3)	155mm ²
Body material	Aluminium
Seal material	Polyurethane elastomer
Mounting orientation	Free
Voltage	24VDC
Allowable voltage fluctuation	±10% of rated voltage
Electrical entry	DIN EN 175301-803 Form A
Coil insulation type	Type B
Power consumption	5W per pilot valve
Surge voltage suppressor	None

2.1.1 Notes

Maximum allowable back pressure on port 2 to be 1.0MPa.

- 1) Ensure moisture does not freeze.
- 2) If lubrication is used, use turbine oil Class 1 ISO VG32.
- 3) The valve must be energised/de-energised at least once per week.
- 4) Shock resistance:
 - No malfunction resulted from the impact test using a drop impact tester.
 - The test was performed on the axis and right angle direction of the main valve and armature, for both energised and de-energised states.
- 5) Vibration resistance:
 - No malfunction occurred in a one-sweep test between 45 and 2000Hz.
 - Test was performed at both energised and de-energised state to the axis and right angles direction of the main valve and armature (valve in the initial stage).
- 6) According to the Safety Standard. See Note in Section 2.9.5 and 2.9.6.
- 7) Manifold body is IP30

2.2 Flow specifications (indicative values)

Inlet pressure 4MPa Outlet pressure 3.8MPa	1→2 (P→A) (When both valves work) Flow L/min (ANR) 27970*
---	--

Inlet pressure 4MPa Outlet pressure 0MPa	2→3 (A→R) When exhausting from V2	2→3 (A→R) When exhausting from V1
	Flow L/min (ANR) 103320*	Flow L/min (ANR) 76260*

*Values obtained from calculation

Note that the air supply flow is from port 1 to port 2 and the exhaust from port 2 to 3. The ports on the valve are clearly identified with the corresponding numbers.

2 Specifications (Continued)

2.3 Auto switch D-M9PVS DPC specification

Wiring	3 wire
Output	PNP
Application	IC circuit/Relay/PLC
Power voltage	4.5 to 28VDC
Current consumption	10mA or less
Maximum permitted load current	20mA or less ⁽¹⁾
Internal voltage drop	0.8V or less
Current leakage	100µA or less at 24V DC
Operating time	1ms or less
Indication light	ON: Red light emitting diode
Electrical entry	M12 connector
Lead wire	Oil proof heavy-duty vinyl cord 2.7 3.2 oval, 0.15mm ² , 3 wire
Impact resistance	1000m/s ²
Insulation resistance	50mΩ or more at 500V DC mega
Withstand voltage	1000V AC for 1 minute (lead wire, between cases)
Ambient temperature	-10 to 60 °C
Protection structure	IEC529 standard IP67, JISC0920

2.3.1 Notes

- 1) For the purposes of EN ISO 13849-2:2008 table D.2 the switch is de-rated from the figures specified by the switch manufacturer. The switch load must be limited in the application in order to maintain the specified safety performance, including the B10d and mission time.

2.4 Safety specification

Safety function: When the valve is de-energised the protected circuit is vented to atmosphere.

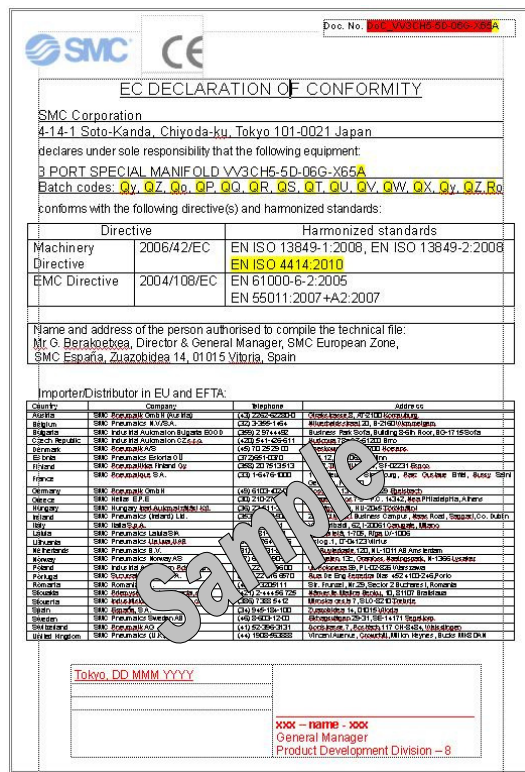
The product is capable of Category 4 PL e according to the Safety Standard when integrated into a suitable safety system.

In this section, 'the Safety Standard' refers to EN ISO 13849-1 and 'the Validation Safety Standard' refers to EN ISO 13849-2 as referenced in the Declaration of Conformity.

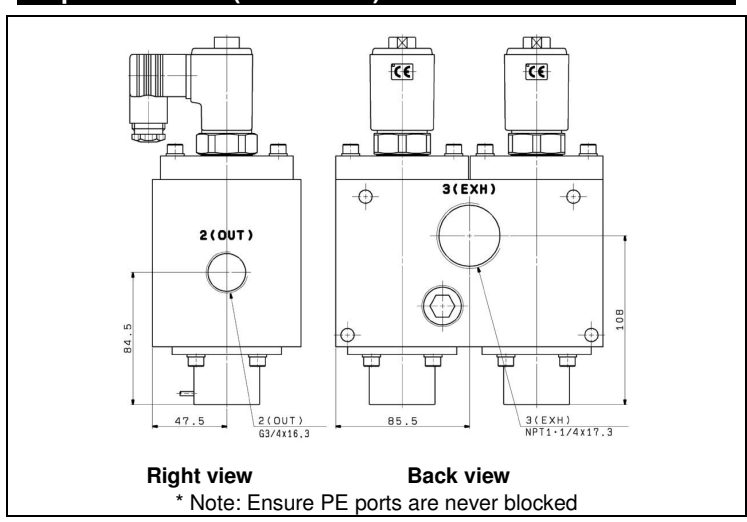
Information about compatibility with the Safety Standard is given in section 2.8.

2.5 Declaration of Conformity

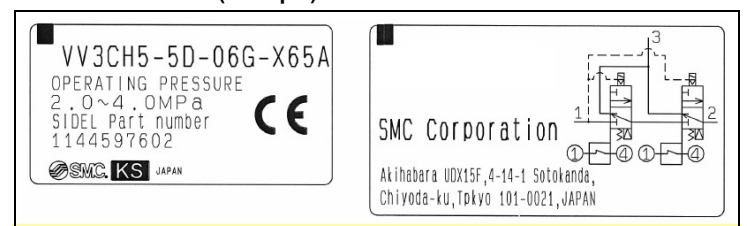
The content of the Declaration of Conformity (DoC) used for this product is shown below as a sample. The actual DoC is supplied with each product.



2 Specifications (Continued)



2.7 Product Label (example)



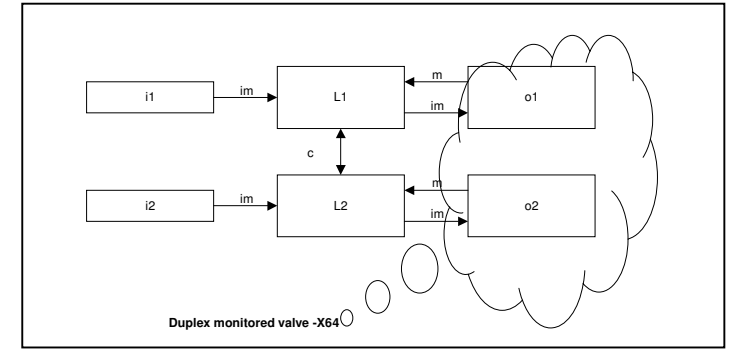
Batch code in the above label translates to the construction year / month according to the following table (eg. 'QQ' = Mar 2012):

Construction Year / Month	Production batch codes											
	Jan	Feb	Mar	Apr	May	Jun	Jul	Aug	Sep	Oct	Nov	Dec
2012	Qo	Qp	Qq	Qr	Qs	Qt	Qu	Qv	Qw	Qx	Qy	Qz
2013	Ro	Rp	Rq	Rr	Rs	Rt	Ru	Rv	Rw	Rx	Ry	Rz
...
2017	Vo	Vp	Vq	Vr	Vs	Vt	Vu	Vv	Vw	Vx	Vy	Vz

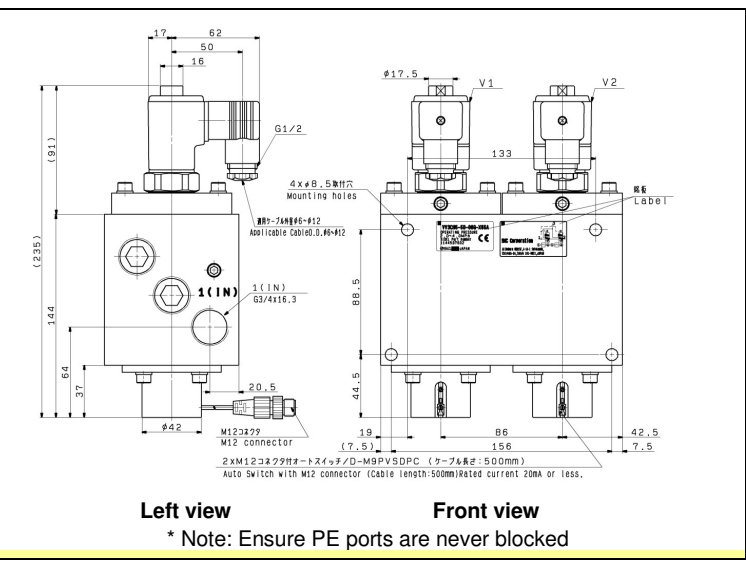
2.8 Safety System – information for the system designer

2.8.1 System Block Model according to the Safety Standard

2 channels: 1 and 2
Input 'i' and output 'o' controlled by logic element 'L'.
Input 'i' is an initiation that will result in output 'o' (the valve solenoid) becoming active if permitted by the logic element.
When output 'o' is active the protected system operates and the potentially hazardous condition is allowed as long as input 'i' is active and the logic element is satisfied.
The logic element monitors the state of the output 'o' via input 'm' (the valve switch).
The logic element for each channel also monitors the fault state of the other channel via cross-monitor connection 'c'.

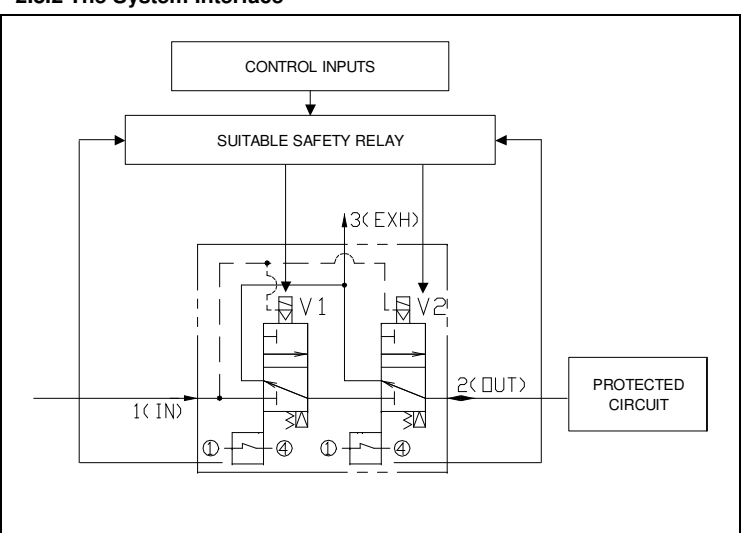


2.6 Parts and connections



2 Specifications (Continued)

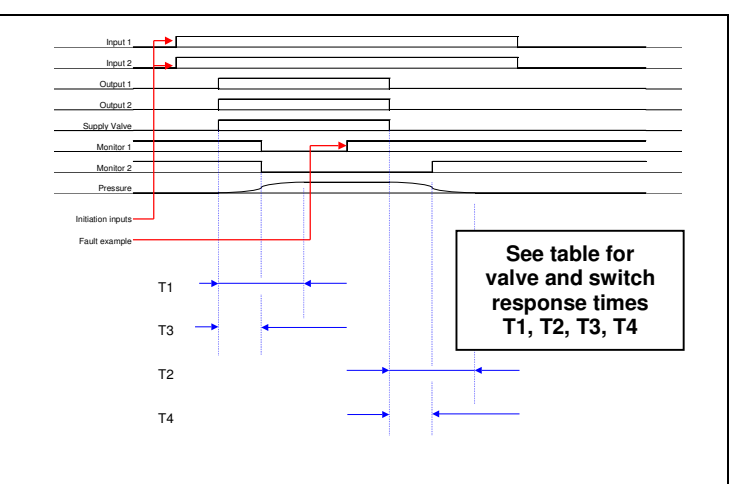
2.8.2 The System Interface



The diagram shows the valve in the dotted line box connected to a safety relay in dual channel mode following the principles of the Safety Standard.

2.8.3 Timing Diagram

Note: The monitor switches are Normally Closed, i.e closed when indicating the protected system is in the vented state. The monitor signals are therefore shown 'High' when the protected system is in this state. When the solenoids of both channels are energised by the output signals air is supplied to the protected system, the monitoring switch contacts open and the monitor signals go 'Low'.



2 Specifications (Continued)

2.8.3.1 Valve Response

- T1 values given in the table are indicative and depend on the valve and the design of the protected system. They are based on the pressure rising to 3.6MPa

- T2 values given in the table are indicative and based on the pressure falling from 4.0MPa to 0.05MPa (see note 2.8.4).

2.8.3.2 Switch Response

- T3 Refer to table
- T4 Refer to table

Volume V, dm³	Valve response		Switch response	
	T1, ms	T2, ms	T3, ms	T4, ms
0	80	120	60	120
2	160	265	60	120

Caution

- Exhaust times experienced on systems will be increased in the fault condition when only 1 channel is functioning.
- Exhaust times are based on tests under SMC conditions and are not guaranteed. Always observe the terms of 2.9.4.

2.8.4 Relationship of flow and response performance to safety function

The time taken for the air to vent and remove the hazard is a function of:

- The flow capacity of the valve.
- The flow restriction of silencers fitted to the valve
- The volume of the protected system
- The pressure of the air in the protected system

- The flow restrictions in air supply and the protected system

The end user is expected to establish the time taken to vent the application system by testing and ensure that this time is consistent with the requirement of the overall safety system. This includes the selection of suitable silencers.

The performance of the system should be validated by test after each installation to ensure that the actual performance of the valve is consistent with the safety function.

2.8.5 Mission time according to the Safety Standard

The operational life of the product should be limited to the mission time stated in section 2.1. The mission time is given in cycles, the user is expected to calculate an equivalent figure in time units based on the duty cycle of the application. After the mission time has expired for the component it should be replaced with a completely new unit.

2.8.6 MTTFd according to the Safety Standard

The B10d for the component given in section 2.1 is derived from product knowledge and based on specific life tests. The system integrator should use this data to determine MTTFd and the Performance Level (PL) of the system using the methods described in the Safety Standard.

2.8.7 Diagnostic Coverage according to the Safety Standard

This valve is fitted with 'indirect monitoring' according to Table E1 of the Safety Standard. When properly integrated this valve contributes to a minimum DC value of 90% for the safety function.

2.8.8 Common Cause Failures according to the Safety Standard

CCF analysis is the responsibility of the system integrator. This valve has 2 channels made of identical valves. The use of this valve might not allow the system calculation to include CCF points for diversity.

3 Installation

3.1 Installation

Warning

- Do not install the product unless the safety instructions have been read and understood. Keep the manual where it can be referred to as necessary.
- Do not install the product if it appears to have been damaged during transport.
- The valve must be protected from contamination from the downstream system when air is vented through the valve.
- Do not paint the product.
- Do not remove or cover up warnings or specifications printed or affixed to the product.
- Ensure sufficient space for maintenance activities. When installing the products, allow access for maintenance.
- Ensure that the connections of pipework and cables to the unit do not result in a residual trip hazard to system operators or maintainers.
- If air leakage increases or equipment does not operate properly, stop operation.
- Check mounting conditions when air and power supplies are connected. Initial function and leakage tests should be performed after installation.
- Ensure PE ports and pilot vents are **never** blocked.

3.2 Environment

Warning

- Do not use in an environment where corrosive gases, chemicals, oils, coolant, salt water or steam are present.
- Do not use in an explosive atmosphere.
- Do not expose to direct sunlight. Use a suitable protective cover.
- Do not install in a location subject to vibration or impact. Check the product specifications.
- Do not mount in a location exposed to radiant heat.
- Do not install in a location subject to strong magnetic fields.

Auto switches can malfunction or magnets inside the valve can become demagnetized.

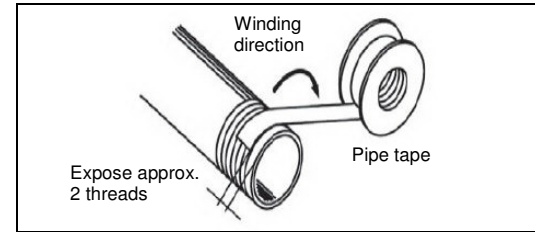
- Do not install in an EMC environment other than 'industrial' according to the scope of standard listed on the Declaration of Conformity.
- When the solenoid valve is mounted in a control panel or is energised for a long time, make sure the ambient temperature is within the specification of the valve.
- Do not use in an environment where the valve assembly will be continually exposed to water. Although auto switches satisfy IEC standard IP67 construction (JIS C 0920: watertight construction) the valve assembly including the switch has a lower IP rating for this application (See 2.1).
- Do not use in an environment with temperature cycles. Consult SMC if switches are used where there are temperature cycles other than normal air temperature changes, as there may be adverse effects inside the switches.
- Do not use in an area where surges are generated. When there are units (solenoid type lifter, high frequency induction furnace, motor, etc.), which generate a large amount of surge in the area around actuators with solid state auto switches, this may cause deterioration or damage to the switches. Avoid sources of surge generation and crossed lines.
- Avoid accumulation of ferrous waste or close contact with magnetic substances. When a large amount of ferrous waste such as machining chips or spatter has accumulated, or a magnetic substance (something attracted by a magnet) is brought into close proximity with an auto switch actuator, it may cause auto switches to malfunction due to a loss of the magnetic force inside the valve.

3 Installation (Continued)

3.3 Piping

Warning

- Before piping make sure to clean up chips, cutting oil, dust etc.
- When installing piping or fittings, ensure sealant material does not enter inside the port. When using seal tape, leave 1.5 to 2 threads exposed on the end of the pipe/fitting.



- Tighten fittings to the specified tightening torque.

Thread	Tightening Torque N.m
G1/2	28 to 30
G1/8	7 to 9

- The valve must be protected from contamination from the protected system when air is vented through the valve.

3.4 Lubrication

Caution

- SMC products have been lubricated for life at manufacture and do not require lubrication in service.
- If a lubricant is used in the system, use turbine oil Class 1 (no additive), ISO VG32. Once lubricant is used in the system, lubrication must be continued because the original lubricant applied during manufacturing will be washed away.

3.5 Air Supply

Warning

- Type of fluids**
Please consult with SMC when using the product in applications other than compressed air.
- When there is a large amount of drainage.
Compressed air containing a large amount of drainage can cause malfunction of pneumatic equipment. An air dryer or water separator should be installed upstream from filters.
- Drain flushing**
If condensation in the drain bowl is not emptied on a regular basis, the bowl will overflow and allow the condensation to enter the compressed air lines. It causes malfunction of pneumatic equipment. If the drain bowl is difficult to check and remove, installation of a drain bowl with an auto drain option is recommended. For compressed air quality, refer to SMC's Best Pneumatics catalogue.
- Use clean air.
Do not use compressed air that contains chemicals, synthetic oils including organic solvents, salt or corrosive gases, etc., as it can cause damage or malfunction.

3 Installation (Continued)

Caution

- When extremely dry air is used as the fluid, degradation of the lubrication properties inside the equipment may occur, resulting in reduced reliability (or reduced service life) of the equipment. Please consult with SMC.
- Install an air filter upstream near the valve. Select an air filter with a filtration size of 5 µm or smaller.
- Take measures to ensure air quality, such as by installing an aftercooler, air dryer, or water separator. Compressed air that contains a large amount of drainage can cause malfunction of pneumatic equipment such as valves.
- If excessive carbon powder is seen, install a mist separator on the upstream side of the valve. If excessive carbon dust is generated by the compressor it may adhere to the inside of a valve and cause it to malfunction. For compressed air quality, refer to SMC's Best Pneumatics catalogue.
- The air supply to the valve must be large enough to supply the transient flow required to operate the valve and maintain the pilot pressure above the minimum operating pressure. Minimise the distance between the valve and the air supply and between the valve and the protected system. Do not place any devices between the valve and the protected system that might interfere with the safety function. The exhaust ports of the valve should never be blocked and must be protected from ingress of contamination by a suitable silencer or device which does not affect the valve function.

3.6 Noise

Caution

The valve must be fitted with silencers or noise reducing devices to protect personnel from transient noise when the valve is de-energised. The pressure drop of silencers or devices must be taken into account during the

design and testing of the application system to ensure that the safety function is maintained.

3.7 Electrical Connection

Caution

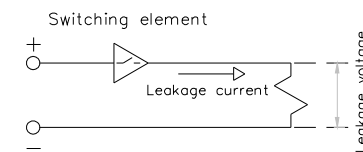
- When electric power is connected to a solenoid valve, be careful to apply the proper voltage. Improper voltage may cause malfunction or coil damage.
- Check if the connections are correct after completing all wiring.

3.7.1 Pilot Valve

Do not exceed any of the specifications laid out in section 2 of this document or the specific product catalogue.

3.7.1.1 Leakage voltage

Limit the amount of residual leakage voltage to 2% or less of rated voltage.



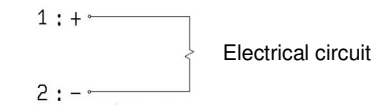
3 Installation (Continued)

3.7.1.2 Pilot valve connections

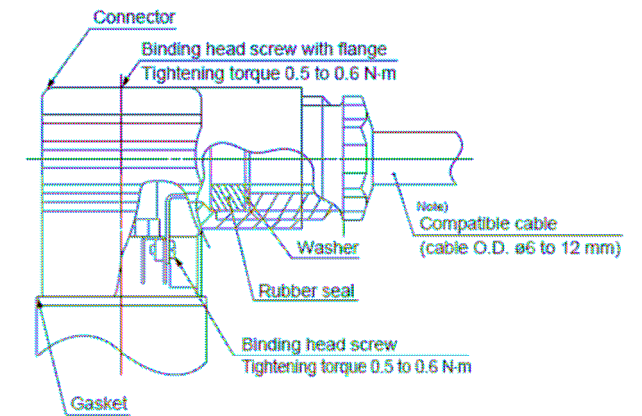
Since internal connections are shown below for the DIN connector, make connections to the power supply accordingly.

Terminal no.	1	2
DIN terminal	+ (-)	- (+)

* There is no polarity

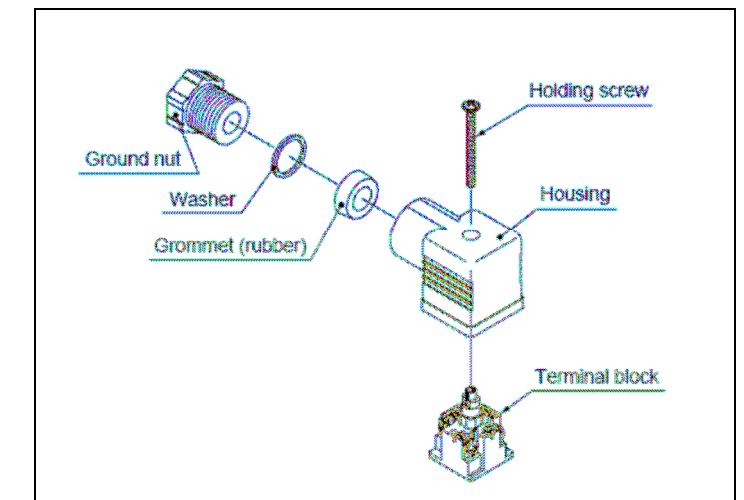


- Use compatible heavy duty cords with cable O.D.: Ø6 ~ Ø12 mm
- Use tightening torques below for each section.



Note) For an outside cable diameter of ø9 to 12 mm, remove the internal parts of the rubber seal before using.

3.7.1.3 Using DIN connector with the pilot valve (DIN 43650 A compatible)



Connection procedure

- Loosen the top holding screw, and remove the connector housing from the terminal spades on the solenoid.
- After removing the holding screw, insert the flat head screw driver, etc. into the slot area on the underside of the DIN cap and carefully separate block and housing.
- Loosen the terminal screws (slotted screws) on the terminal block, insert the core of the lead wire into the terminal in accordance with the connection method, and attach securely with the terminal screws.
- Tighten the ground nut to secure the wire.

3 Installation (Continued)

Cord entry changing procedure

- After separating the terminal block and housing, the cord entry direction can be changed by attaching the housing in the desired direction (4 directions in 90° increments).

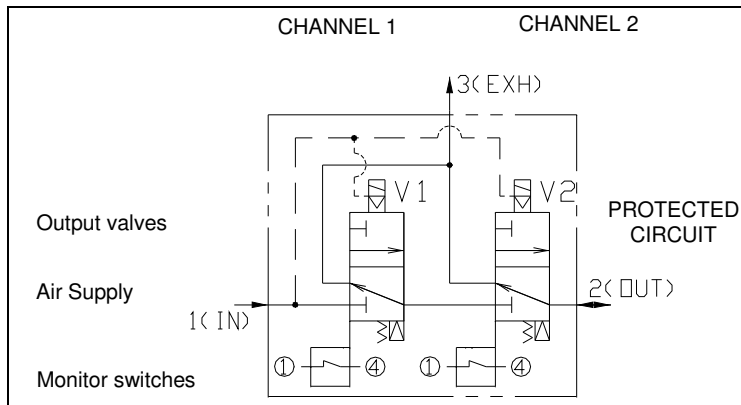
Precautions

- Pull the connector out vertically, never at an angle.

Compatible cables

- Use compatible heavy duty cords with cable O.D.: Ø6 ~ Ø12 mm

3.7.2 Auto Switch: D-M9PVSDPC



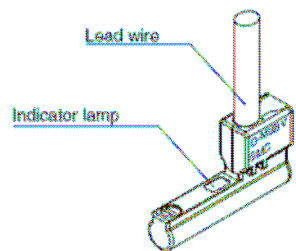
- Avoid repeatedly bending or stretching lead wires. Broken lead wires can result from wiring patterns, which repeatedly apply bending stress or stretching force to the lead wires.
- Confirm proper insulation of wiring. Be certain that there is no faulty wiring insulation (contact with other circuits, ground fault, improper insulation between terminals, etc.)

Damage may occur due to excess current flow into a switch.

- Do not wire with power lines or high voltage lines. Wire separately from power lines or high voltage lines, avoiding parallel wiring or wiring in the same conduit with these lines. Control circuits containing auto switches may malfunction due to noise from these other lines.
- Do not allow short circuit of loads. The switches do not have built-in short circuit protection circuits. Note that if a load is short circuited, the switch will be instantly damaged because of excess current flow into the switch.
- Avoid incorrect wiring. If wiring is incorrect, the switches will be damaged.

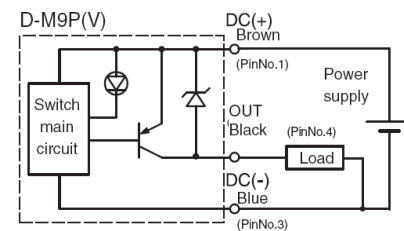
Warning

The auto switches are permanently fitted during manufacture and must not be removed or adjusted.

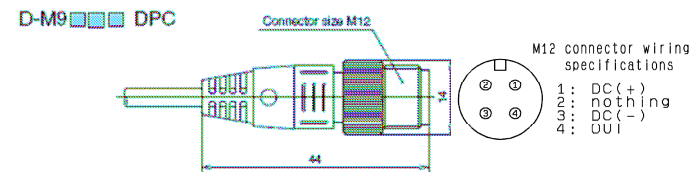


3 Installation (Continued)

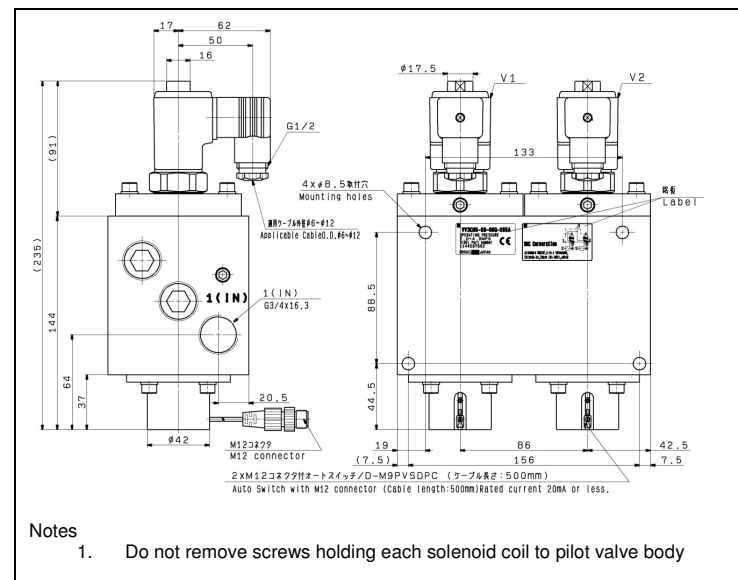
3.7.2.1 Basic wiring



3.7.2.2 Exterior dimensions and wiring specifications



4 Outline Dimensions (mm)



4.1 Mounting

- Installation orientation: free.
- The valve can be mounted using 4 x M8 bolts.
- Tighten bolts to achieve a secure mounting. Maximum torque 12 Nm.
- Do not carry the valve by the auto switch lead wires. This may not only cause broken lead wires, but it may cause internal elements of the switch to be damaged by the stress.

5 Maintenance

5.1 General Maintenance

Caution

- Not following proper maintenance procedures could cause the product to malfunction and lead to equipment damage.
- If handled improperly, compressed air can be dangerous. Maintenance of pneumatic systems should be performed only by qualified personnel.
- Before performing maintenance, turn off the power supply and be sure to cut off the supply pressure. Confirm that the air is released to atmosphere.
- After installation and maintenance, apply operating pressure and power to the equipment and perform appropriate functional and leakage tests to make sure the equipment is installed correctly.
- Do not make any modification to the product.
- Do not disassemble the product, unless required by installation or maintenance instructions.
- Replacement parts. The only component, which can be replaced by the user, is the pilot valve. (See below)

5.2 Auto switch

- Periodically confirm that there is no damage to the lead wires, body or permanent location of the switches.

5.3 Pilot Valve

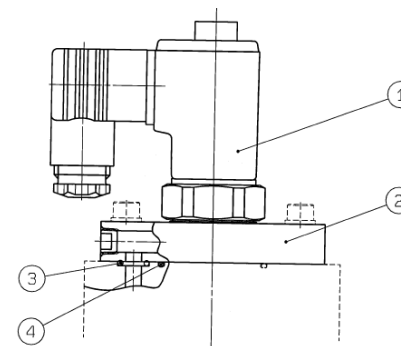
Warning

- Under no circumstances attempt to change the solenoid coil of the pilot valve as this is an integral part of the valve and doing so will negate any SMC warranty.
- Do not remove the nut securing the solenoid coil to the pilot valve body.

5.3.1 Replacement pilot valve VV3CH5-X65-PV-KT

Caution

- Ensure that no contamination is introduced when the pilot valve is replaced.
- Only replace pilot valve with VV3CH5-X65-PV-KT supplied by SMC for the purpose. Do not attempt to replace pilot valve with any other component that appears to provide the same function.
- Remove the four screws, securing pilot valve (1) and bonnet (2) to the main valve, and carefully remove - ensuring o-rings (3,4) are not misplaced.



- Replace pilot valve ensuring o-rings are correctly positioned. After confirming the installation of the o-rings, securely tighten the screws to the tightening torque of 7 to 9 Nm.

5 Maintenance (Continued)

Warning

Replacing a pilot valve does not change the mission time restriction of the main valve assembly. When the pilot valve is replaced it is the end user's responsibility to ensure that the life history of the main valve assembly remains under control to ensure that the main valve assembly is not used beyond its mission time.

5.4 General periodic testing

The product should be tested for proper operation of the safety function at least once per month or whenever considered necessary for the purposes of the end user. The test should consist of operation of the safety system and observation of the following:

- When the connected control system is energising the solenoids:
- Check that the connected downstream system can be properly pressurised.
 - Check that the switch output is off.
 - Check that when only one channel of the system (one of the solenoids) is energised that the protected system does not become pressurised. Check this for both channels.

When the connected control system is not energising the solenoids:

- Check that the solenoid indicator lamps are not illuminated.
- Check that the connected downstream system is properly vented to atmosphere and ensure that the condition of the silencers is not causing an extension of the vent time.
- Check that the switch output is on.
- Check that when only one channel of the system (one of the solenoids) is de-energised that the protected system is vented to atmosphere. Check this for both channels.
 - Check the general condition of the valve particularly the switch lead wires – see 5.2 and replace if necessary or consult SMC.

Warning

The specification of the valve requires the valve to be cycled (energised and de-energised) at least once per week.

5.5 Silencers

Warning

Ensure that silencers fitted to the valve remain clean and uncontaminated in operation because blockage will affect the safety function. These silencers to be fitted by the end user during installation. Examine all the silencers at least once per month and more frequently if necessary due to the nature of the application environment.

5 Maintenance (Continued)

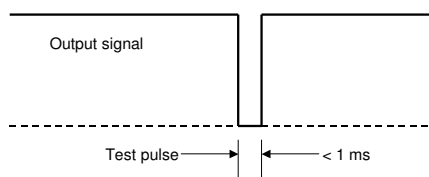
5.6 Troubleshooting guide

Symptom	Possible fault	Action
Valve does not open	Pilot valve is not energised	Check pilot solenoid indicator
	Supply pressure is too low	Check supply pressure
	Pilot valve has failed	Replace individual pilot valve(s)
Valve does not close	Pilot valve remains energised	Check pilot solenoid indicator
	Pilot valve is jammed	Replace individual pilot valve(s)
	Main valve is jammed	Replace whole valve
Switch contacts do not open	Switch has failed	Replace whole valve
Switch contacts do not close	Switch has failed	Replace whole valve
Valve operation is noisy or erratic	Supply flow is inadequate	Increase supply pressure and/or flow.
Valve is slow to pressurise protected system	Supply flow is inadequate	Increase supply pressure and/or flow.
	One channel of valve is not functioning	Check 'Valve does not open' symptoms above
Valve is slow to vent protected system	Inadequate flow area in protected system	Revise flow in protected system
	One channel of valve is not functioning	Check 'Valve does not close' symptoms above

NOTE: If any fault is found, the valve should be replaced if the safety function is not maintained.

6 Limitations of Use

If a safe output from a safety relay or PLC is used to operate this valve, ensure that any output test pulse duration is shorter than 1 ms to avoid the valve solenoid responding.



Caution

This product is CE marked as a safety component as defined under the Machinery Directive 2006/42/EC. For details please refer to the Declaration of Conformity supplied with the product.

The valve may only be used to provide the stated safety function for the removal of pressure from all or part of a pneumatic system, under the total control of a supervisory device. The valve can only perform as a safety component when properly installed in a system conforming to the appropriate safety standards. Any such use must be within the specified limits and application conditions for the product.

In order to meet a required performance level as defined by the appropriate safety standards, the user must provide all the other necessary components to complete the function of the safety system.

The user is responsible for the specification, design, implementation, validation and maintenance of the safety system.

7 Contacts

AUSTRIA	(43) 2262 62280-0	LATVIA	(371) 781 77 00
BELGIUM	(32) 3 355 1464	LITHUANIA	(370) 5 264 8126
BULGARIA	(359) 2 974 4492	NETHERLANDS	(31) 20 531 8888
CZECH REP.	(420) 541 424 611	NORWAY	(47) 67 12 90 20
DENMARK	(45) 7025 2900	POLAND	(48) 22 211 9600
ESTONIA	(372) 651 0370	PORTUGAL	(351) 21 471 1880
FINLAND	(358) 207 513513	ROMANIA	(40) 21 320 5111
FRANCE	(33) 1 6476 1000	SLOVAKIA	(421) 2 444 56725
GERMANY	(49) 6103 4020	SLOVENIA	(386) 73 885 412
GREECE	(30) 210 271 7265	SPAIN	(34) 945 184 100
HUNGARY	(36) 23 511 390	SWEDEN	(46) 8 603 1200
IRELAND	(353) 1 403 9000	SWITZERLAND	(41) 52 396 3131
ITALY	(39) 02 92711	UNITED KINGDOM	(44) 1908 563888
AUSTRIA	(43) 2262 62280-0	LATVIA	(371) 781 77 00

Outside Europe:

JAPAN	(81) 3-5207-8271	USA	(1) 317-899-4440
--------------	------------------	------------	------------------

SMC Corporation

URL : <http://www.smcworld.com> (Global) <http://www.smceu.com> (Europe)
SMC Corporation, Akihabara UDX15F, 4-14-1, Sotokanda, Chiyoda-ku, Tokyo 101-0021 JAPAN

Specifications are subject to change without prior notice from the manufacturer.

© 2010 SMC Corporation All Rights Reserved.