

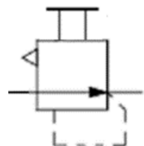


ORIGINAL INSTRUCTIONS

Instruction Manual

Load Sensor

Series: XT477 Model: XT477-3



The intended use of this product is to convert a load to output pressure. It is possible to construct an all air balance circuit by combining it with an air cylinder and an air operated type precision regulator, etc.

Validated according to ISO13849.

Refer to the Specifications section for details.

1 Safety Instructions

These safety instructions are intended to prevent hazardous situations and/or equipment damage. These instructions indicate the level of potential hazard with the labels of "Caution," "Warning" or "Danger." They are all important notes for safety and must be followed in addition to International Standards (ISO/IEC)<sup>1)</sup>, and other safety regulations.

- <sup>1)</sup> ISO 4414: Pneumatic fluid power - - General rules relating to systems.
- ISO 4413: Hydraulic fluid power - - General rules relating to systems.
- IEC 60204-1: Safety of machinery - -Electrical equipment of machines. (Part 1: General requirements)
- ISO 10218-1: Manipulating industrial robots -Safety,etc.

This manual contains essential information for the protection of users and others from possible injury and/or equipment damage.

- Read this manual before using the product, to ensure correct handling,

and read the manuals of related apparatus before use.

- Keep this manual in a safe place for future reference.
- To ensure safety of personnel and equipment the safety instructions in this manual must be observed, along with other relevant safety practices.

	<b>Caution</b>	Caution indicates a hazard with a low level of risk which, if not avoided, could result in minor or moderate injury.
	<b>Warning</b>	Warning indicates a hazard with a medium level of risk which, if not avoided, could result in death or serious injury.
	<b>Danger</b>	Danger indicates a hazard with a high level of risk which, if not avoided, will result in death or serious injury.

**Warning**

- **The compatibility of the product is the responsibility of the person who designs the equipment or decides its specifications.**
- Since the product specified here is used under various operating conditions, its compatibility with specific equipment must be decided by the person who designs the equipment or decides its specifications based on necessary analysis and test results. The expected performance and safety assurance of the equipment will be the responsibility of the person who has determined its compatibility with the product. This person should also continuously review all specifications of the product referring to its latest catalogue information, with a view to giving due consideration to any possibility of equipment failure when configuring the equipment.
- **Only personnel with appropriate training should operate machinery and equipment.**

The product specified here may become unsafe if handled incorrectly.

1 Safety Instructions - continued

The assembly, operation and maintenance of machines or equipment including our products must be performed by an operator who is appropriately trained and experienced.

- **Do not service or attempt to remove product and machinery/equipment until safety is confirmed.**

- 1) The inspection and maintenance of machinery/equipment should only be performed after measures to prevent falling or runaway of the driven objects have been confirmed.
- 2) When the product is to be removed, confirm that the safety measures as mentioned above are implemented and the power from any appropriate source is cut, and read and understand the specific product precautions of all relevant products carefully.
- 3) Before machinery/equipment is restarted, take measures to prevent unexpected operation and malfunction.

- **Contact SMC beforehand and take special consideration of safety measures if the product is to be used in any of the following conditions.**

- 1) Conditions and environments outside of the given specifications, or use outdoors or in a place exposed to direct sunlight.
- 2) Installation on equipment in conjunction with atomic energy, railways, air navigation, space, shipping, vehicles, military, medical treatment, combustions and recreation, or equipment in contact with food and beverages, emergency stop circuits, clutch and brake circuits in press applications, safety equipment or other applications unsuitable for the standard specification described in the product catalogue.
- 3) An application which could have negative effects on people, property, or animals requiring special safety analysis outside the scope of ISO13849 stated in this document
- 4) Use in an interlock circuit, which requires the provision of double interlock for possible failure by using a mechanical protective function, and periodical checks to confirm proper operation.

- **Always ensure compliance with relevant safety laws and standards.** All electrical work must be carried out in a safe manner by a qualified person in compliance with applicable national regulations.

**Caution**

- **The product is provided for use in manufacturing industries.**

The product herein described is basically provided for peaceful use in manufacturing industries.

If considering using the product in other industries, consult SMC beforehand and exchange specifications or a contract if necessary. If anything is unclear, contact your nearest sales branch.

2 Specifications

2.1 Specifications  
Table 1

Model	XT477-3
Max. operating pressure	0.8MPa
Output pressure	0.05 to 0.5MPa
Input/output characteristics	Refer to input/output characteristics.
Linearity	±5%F.S or less
Applicable cylinder bore	50mm
Recommended load weight	40kg or less <sup>(Note1)</sup>
Ambient and fluid temperature	-5 to 60°C. (no freezing)
Operating fluid	Air
Filtration	5µm
Lubrication	Not required
Port size	Rc1/4
Construction	Relief type
Standard	Conforms to basic & well-tried safety principles of ISO13849
B <sub>10</sub>	800,000 cycles <sup>(Note2)</sup>
B <sub>10d</sub>	1.6 million cycles <sup>(Note2)</sup>
Weight	Approx. 2kg

**Note 1)** This value takes inertia into consideration. Please avoid eccentric load as much as possible.

2 Specifications - continued

**Note 2)** The B<sub>10</sub> figure is estimated from SMC life tests. The B<sub>10d</sub> figure is derived from B<sub>10</sub> using the assumption in ISO 13849-1:2008 Annex C. Contact SMC for details.

2.2 Input/output characteristics

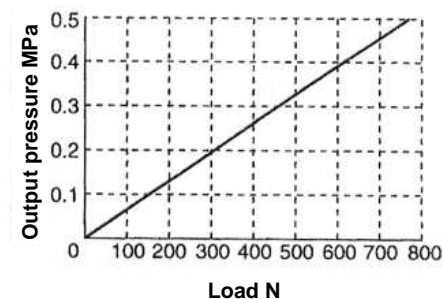


Figure 1 Input/output characteristic

2.3 Operating principle

If a load is applied to the transmission plate B ①, this force will be transmitted to the shaft ③ via the transmission plate A ② and the diaphragm ④ and valve ⑤ will be pushed down. As a result, part of the supply pressure will be output to the OUT side. The output air pressure acts on the lower side of the diaphragm ④, which counteracts the force pushing down on the diaphragm by the load, this becomes the set pressure. If the load decreases here, the diaphragm ④ will be pushed up by the output pressure and the valve ⑤ will close and then the exhaust valve ⑥ will open. As a result, the excess pressure on the OUT side will be released to atmosphere. Thus the output pressure changes linearly by the load applied.

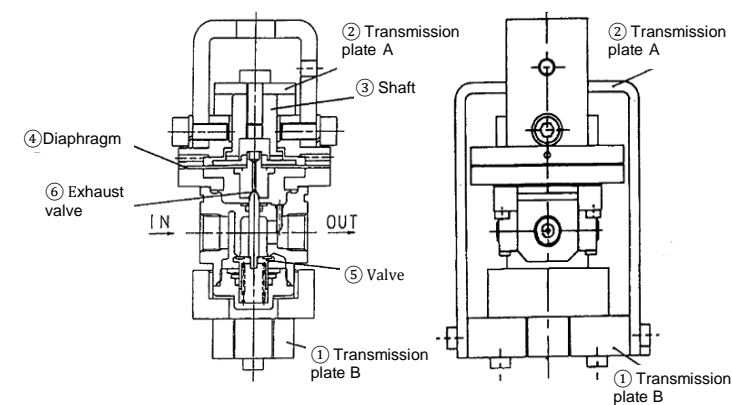


Figure 2

**Caution**

Special products might have specifications different from those shown in this section. Contact SMC for specific drawings. These drawings will give the appropriate specification details and compliance with the safety principles of ISO 13849, if applicable.

3 Installation

3.1 Installation

**Warning**

- Do not install the product until the safety instructions have been read and understood.
- Install and remove any work piece when the supply pressure is applied.
- If a load sensor fails and danger to the system can be predicted, install a safety circuit in the system to avoid danger.

3 Installation - continued

- Use the mounting hole (φ18.5) in the mounting bracket on top of the load sensor to mount onto the cylinder head. Use the screw (M22x1.5) on the transmission plate B at the bottom of the load sensor to mount a jig to hang the work piece.
- When mounting, take measures to prevent loosening at the mounting screw section.

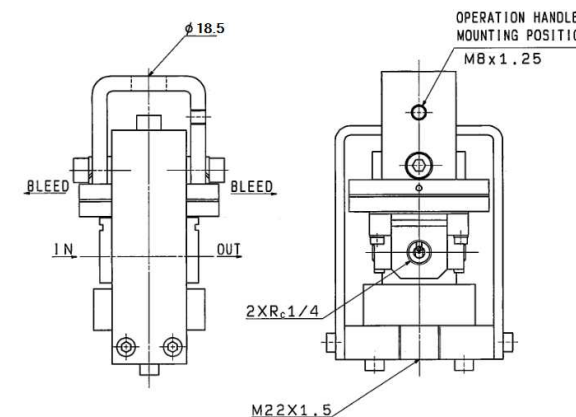


Figure 3

3.2 Operating environment

**Warning**

- Do not use in an environment where corrosive gases, chemicals, salt water or steam are present.
- Do not use in an explosive atmosphere.
- Do not expose to direct sunlight. Use a suitable protective cover.
- Do not install in a location subject to vibration or impact. Check the product specifications.
- Do not mount in a location exposed to radiant heat.

3.3 Piping

**Caution**

- Before piping make sure to clean up chips, cutting oil, dust etc.
- When installing piping or fittings, ensure sealant material does not enter inside the port. When using seal tape, leave 1.5 to 2 threads exposed on the end of the pipe/fitting.
- Tighten fittings to the specified tightening torque.

3.4 Air source

**Caution**

- Install an air filter on the supply side near this product. Select filtration of 5µm or less.
- Compressed air containing a large amount of drain can cause this product or other air compressor to malfunction. Install an after-cooler, air drier or drain catch as countermeasures. Avoid using a lubricator.
- A large amount of carbon powders generated from the compressor can stick inside this product resulting in malfunction.

3.5 Operation

**Caution**

- Do not use this load sensor outside the specifications because it can cause a product failure.

3.6 Lubrication

**Caution**

SMC products have been lubricated for life at manufacture, and do not require lubrication in service. If a lubricant is used in the system, use turbine oil Class 1 (no additive), ISO VG32. Once lubricant is used in the system, lubrication must be continued because the original lubricant applied during manufacturing will be washed away.

## 4 Settings

### 4.1 Settings

The XT477-3 load sensor can be used as a balancer by combining with an air cylinder (bore size: 50mm), an air operated type precision regulator and a speed controller.

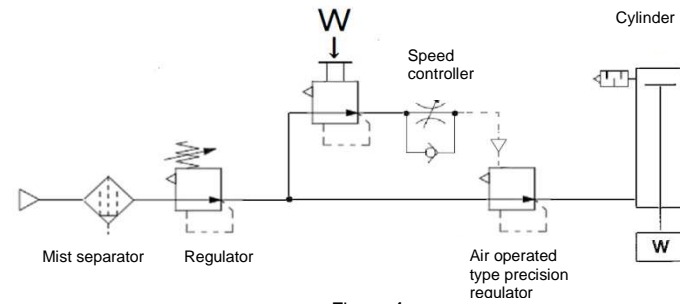


Figure 4

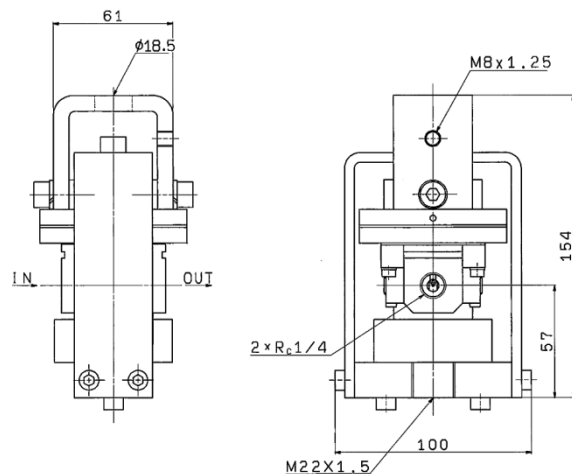
### Caution

- The only air cylinders applicable as balancers are those with a bore size of 50 mm.
- If not fully balanced, fine-tune pressure with an air operated type precision regulator.
- If hunting occurs in the circuit, install a speed controller and a tank on the output side of the load sensor.

## 5 How-to-Order

Model no: XT477-3

## 6 Outline dimensions (mm)



## 7 Maintenance

### 7.1 General Maintenance

### Caution

- Not following proper maintenance procedures could cause the product to malfunction and lead to equipment damage.
- If handled improperly, compressed air can be dangerous. Maintenance of pneumatic systems should be performed only by qualified personnel.

## 7 Maintenance - continued

- Before performing maintenance, turn off the power supply and be sure to cut off the supply pressure. Confirm that the air is released to atmosphere.
- After installation and maintenance, apply operating pressure and power to the equipment and perform appropriate functional and leakage tests to make sure the equipment is installed correctly.
- If any electrical connections are disturbed during maintenance, ensure they are reconnected correctly and safety checks are carried out as required to ensure continued compliance with applicable national regulations.
- Do not make any modification to the product.
- Do not disassemble the product, unless required by installation or maintenance instructions.

## 8 Limitations of Use

### 8.1 Limited warranty and Disclaimer/Compliance Requirements

• The product used is subject to the following “Limited warranty and Disclaimer” and “Compliance Requirements”. Read and accept them before using the product.

#### Limited warranty and Disclaimer

- 1) The warranty period of the product is 1 year in service or 1.5 years after the product is delivered, whichever is first<sup>(1)</sup>. Also, the product may have specified durability, running distance or replacement parts. Please consult your nearest sales branch.
- 2) For any failure or damage reported within the warranty period which is clearly our responsibility, a replacement product or necessary parts will be provided.

This limited warranty applies only to our product independently, and not to any other damage incurred due to the failure of the product.

- 3) Prior to using SMC products, please read and understand the warranty terms and disclaimers noted in the specified catalogue for the particular products.

<sup>(1)</sup> Vacuum pads are excluded from this 1 year warranty.

A vacuum pad is a consumable part, so it is warranted for a year after it is delivered. Also, even within the warranty period, the wear of a product due to the use of the vacuum pad or failure due to the deterioration of rubber material are not covered by the limited warranty.

#### Compliance Requirements

- 1) The use of SMC products with production equipment for the manufacture of weapons of mass destruction (WMD) or any other weapon is strictly prohibited.
- 2) The exports of SMC products or technology from one country to another are governed by the relevant security laws and regulations of the countries involved in the transaction. Prior to the shipment of a SMC product to another country, assure that all local rules governing that export are known and followed.

### Caution

• SMC products are not intended for use as instruments for legal metrology.

Measurement instruments that SMC manufactures or sells have not been qualified by type approval tests relevant to the metrology (measurement) laws of each country.

Therefore, SMC products cannot be used for business or certification ordained by the metrology (measurement) laws of each country.

### Warning

- If this product is to be used in ISO-13849 compliant systems, it must be used within the specific application. Specifications, design, installation, verification and maintenance of the safety system are the user's responsibility.

## 9 Contacts

# SMC Corporation

AUSTRIA	SMC Pneumatik GmbH, Girakstrasse 8, AT-2100 Korneuburg, Austria
BELGIUM	SMC Pneumatics N.V./S.A. Nijverheidsstraat 20, B-2160 Wommelgem, Belgium
BULGARIA	SMC Industrial Automation Bulgaria EOOD, Business Park Sofia, Building 8-6th floor, BG-1715 Sofia, Bulgaria
CROATIA	SMC IndustrijskaAutomatikad.o.o. ZagrebačkaAvenija 104,10 000 Zagreb
CZECH REP.	SMC Industrial Automation CZ s.r.o. Hudcova 78a, CZ-61200 Brno, Czech Republic
DENMARK	SMC Pneumatik A/S, Egeskovvej 1, DK-8700 Horsens, Denmark
ESTONIA	SMC Pneumatics Estonia Oü, Laki 12, EE-10621 Tallinn, Estonia
FINLAND	SMC Pneumatics Finland Oy, PL72, Tiistinniityntie 4, SF-02031 Espoo, Finland
FRANCE	SMC Pneumatique SA.1, Boulevard de Strasbourg, Parc Gustave Eiffel, Bussy Saint Georges, F-77607 Marne La Vallée Cedex 3, France
GERMANY	SMC Pneumatik GmbH, Boschring 13-15, 63329 Egelsbach, Germany
GREECE	SMC Italia Hellas Branch, Anagenniseos 7-9-P.C. 14342 N.Philadelphia, Athens, Greece
HUNGARY	SMC Hungary IpariAutomatizálásiKft.Torbágy u. 19, HU-2045 Törökbálint, Hungary
IRELAND	SMC Pneumatics (Ireland) Ltd.2002 Citywest Business Campus, Naas Road, Saggart, Co. Dublin, Ireland
ITALY	SMC Italia S.p.A.Via Garibaldi 62, I-20061Carugate, (Milano), Italy
LATVIA	SMC Pneumatics Latvia SIA, Dzelzavas str. 120g, Riga, LV-1021, Latvia
LITHUANIA	UAB "SMC Pneumatics", Oslo g. 1, LT-04123 Vilnius, Lithuania
NETHERLANDS	SMC Pneumatics B.V.De Ruyterkade 120, NL-1011 AB Amsterdam, the Netherlands
NORWAY	SMC Pneumatics Norway AS, Vollsveien 13 C, GranfosNæringspark, N-1366 Lysaker, Norway
POLAND	SMC Industrial Automation Polska Sp. z o.o.ul. Konstruktorska 11A, PL-02-673 Warszawa, Poland
PORTUGAL	SMC España S.A. Zuazobidea 14, 01015 Vitoria, Spain
ROMANIA	SMC Romania S.r.l. StrFrunzei 29, Sector 2, Bucharest, Romania
RUSSIA	SMC Pneumatik LLC. Business centre, building 3, 15 Kondratjevskij prospect, St.Petersburg, Russia, 195197

SLOVAKIA	SMC PriemyselnáAutomatizáciaSpols.r.o. Fantranská 1223, Teplickanadvahom, 01301, Slovakia
SLOVENIA	SMC IndustrijskaAvtomatikad.o.o. Mirnskacesta 7, SLO-8210 Trebnje, Slovenia
SPAIN	SMC España S.A. Zuazobidea 14, 01015 Vitoria, Spain
SWEDEN	SMC Pneumatics Sweden AB, Ekhaqsvägen 29-31, SE-141 71 Segeltorp, Sweden
SWITZERLAND	SMC Pneumatik AG, Dorfstrasse 7, Postfach, 8484 Weisslingen, Switzerland
TURKEY	SMC PnömatikSanayiTicaretveServis A.Ş. GülbaharCaddesi, Aydin Plaza, No: 9/4 Güneşli – 34212, Istanbul
UK	SMC Pneumatics (U.K.) Ltd. Vincent Avenue, Crownhill, Milton Keynes, Buckinghamshire MK8 0AN, United Kingdom

# SMC Corporation

URL : [http:// www.smcworld.com](http://www.smcworld.com) (Global) <http:// www.smceu.com> (Europe)  
 'SMC Corporation, Akihabara UDX15F, 4-14-1, Sotokanda, Chiyoda-ku, Tokyo 101 0021

Specifications are subject to change without prior notice from the manufacturer.

© 2015 SMC Corporation All Rights Reserved.

Template DKP50047-F-085C